

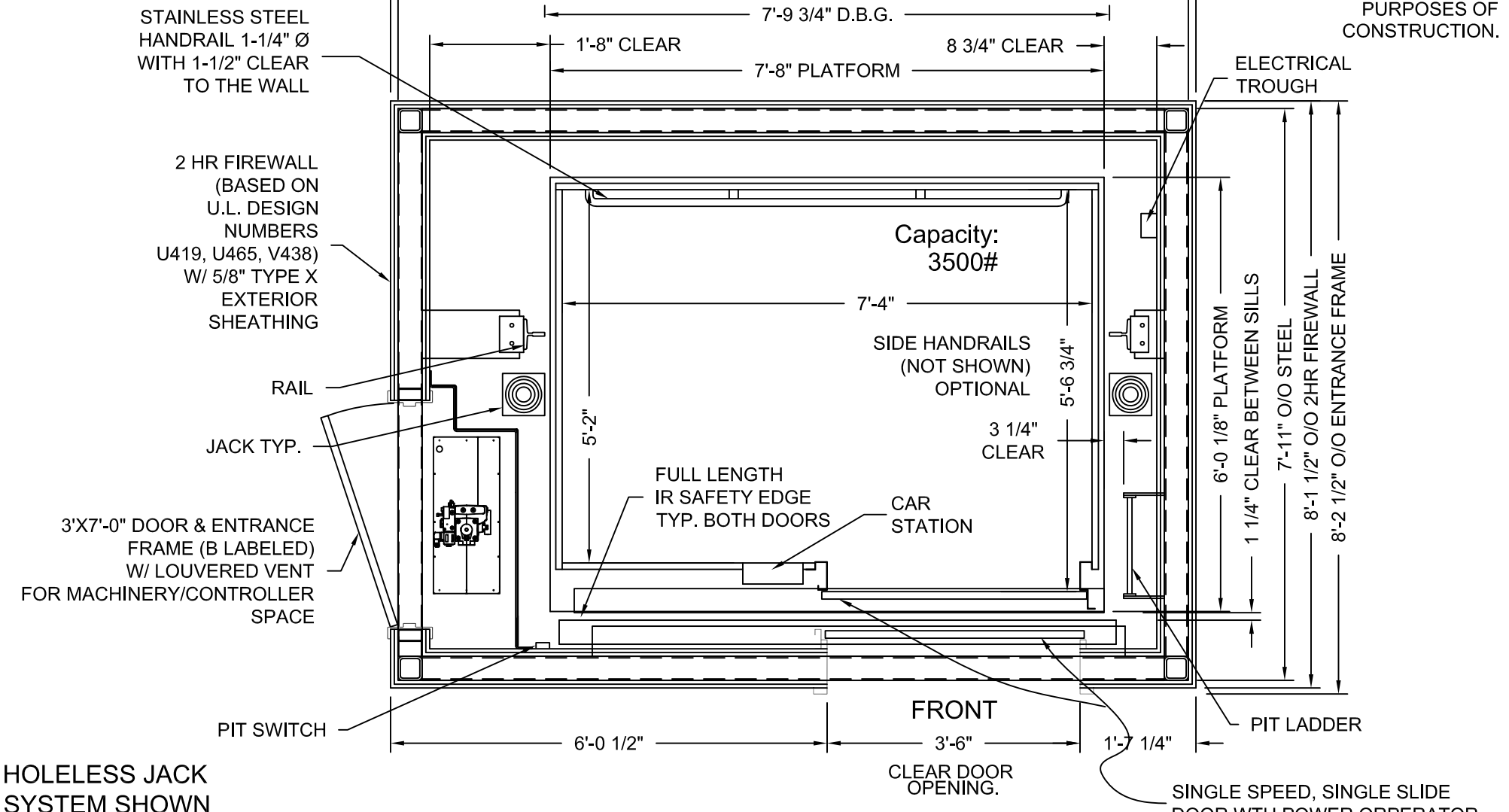
NET INSIDE CAB AREA - 37.89 SQ FT

D.B.G. = Distance between guide rails.

O/O = Out to out

W/ = with

DRAWINGS ARE FOR REFERENCE USE ONLY AND ARE NOT INTENDED FOR PURPOSES OF CONSTRUCTION.



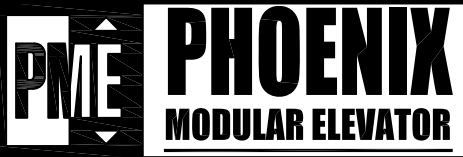
HOLELESS JACK SYSTEM SHOWN

**STRETCHER COMPLIANT  
ADA COMPLIANT**

**MODEL: AC3000 SLF - MRL HYDRO**  
LEFT HAND EXIT SHOWN - RIGHT HAND EXIT OPPOSITE  
TWO HOUR SHAFT RATING

SINGLE SPEED, SINGLE SLIDE DOOR WITH POWER OPERATOR  
MEETS IBC 2006/2009 SECTION 3002.4  
Designed for 24"x84" ambulance stretcher / gurney

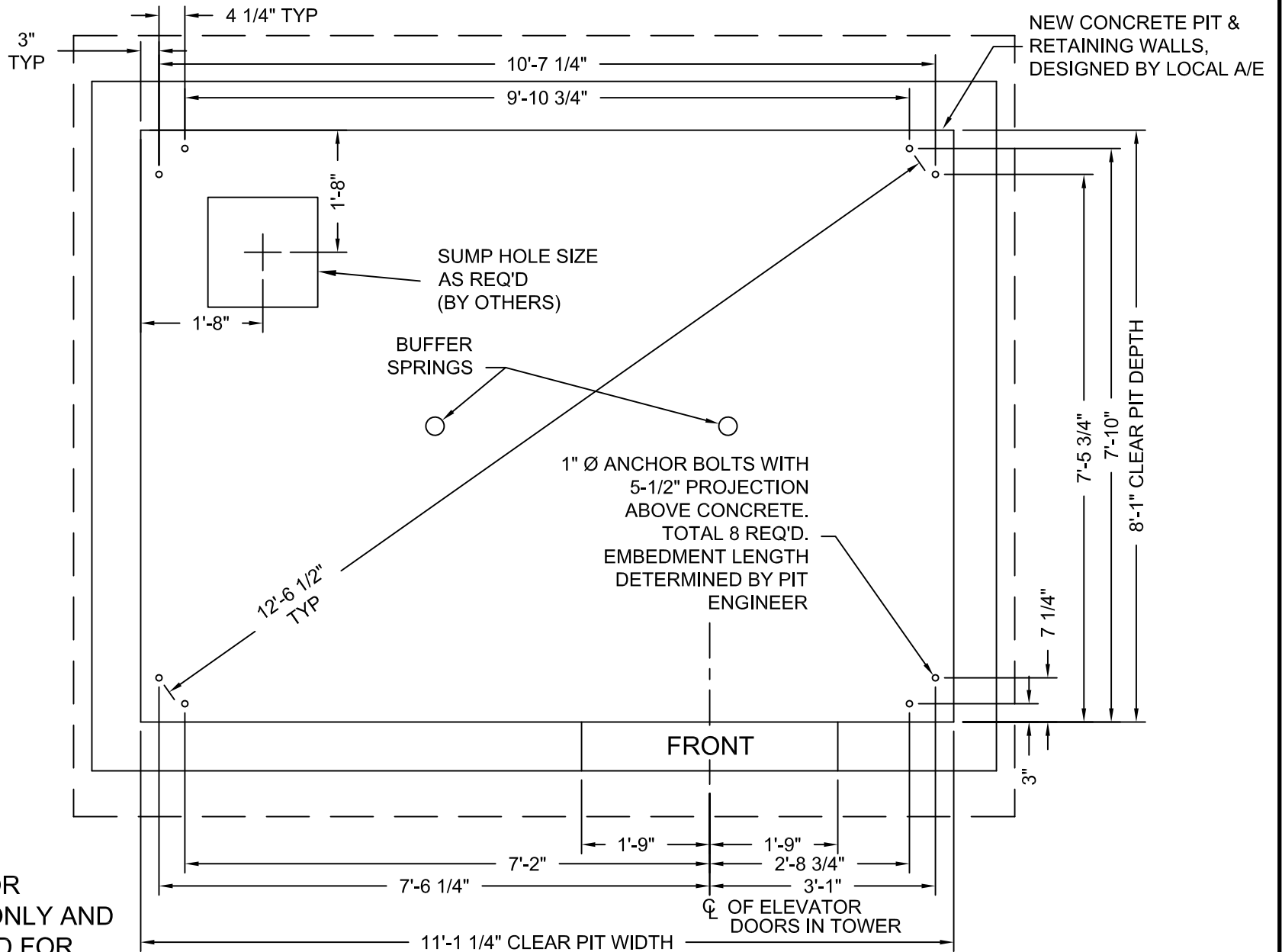
Issue Date:



**PHOENIX MODULAR ELEVATOR INC.**  
4800 PHOENIX DRIVE, MT. VERNON, ILLINOIS 62864  
PHONE: (618)-244-2314 FAX: (618)-244-1923  
E-mail: [Info@phoenixmodularelevator.com](mailto:Info@phoenixmodularelevator.com)  
Web page: [www.phoenixmodularelevator.com](http://www.phoenixmodularelevator.com)

**HOISTWAY & CAR PLAN - 2HR FIRE RATED HOISTWAY**

SIZE A	REV	REV. DATE	FILE NO.
SCALE: 1/2"=1'-0"		DATE:	DWG NO. <b>SLF-2HR</b>



DRAWINGS ARE FOR REFERENCE USE ONLY AND ARE NOT INTENDED FOR PURPOSES OF CONSTRUCTION.

MODEL: AC3000 - MRL HYDRO  
LEFT HAND EXIT SHOWN - RIGHT HAND EXIT OPPOSITE

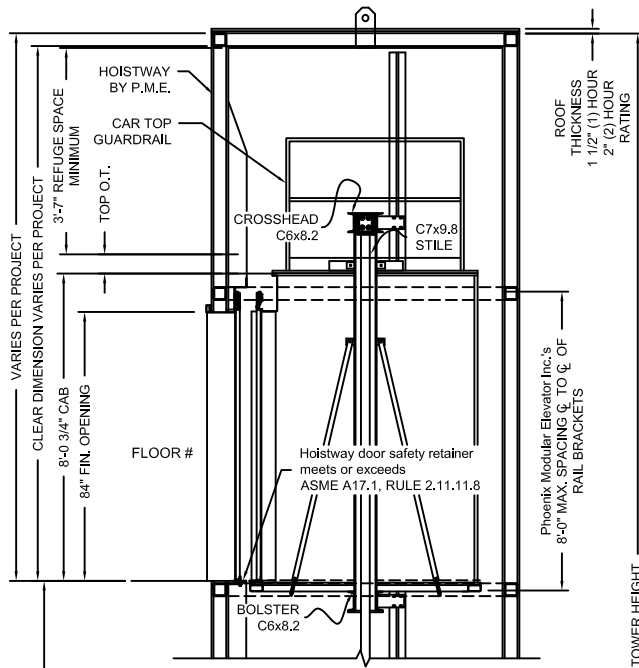
Issue Date:



**PHOENIX MODULAR ELEVATOR INC.**  
4800 PHOENIX DRIVE, MT. VERNON, ILLINOIS 62864  
PHONE: (618)-244-2314 FAX: (618)-244-1923  
E-mail: [Info@phoenixmodularelevator.com](mailto:Info@phoenixmodularelevator.com)  
Web page: [www.phoenixmodularelevator.com](http://www.phoenixmodularelevator.com)

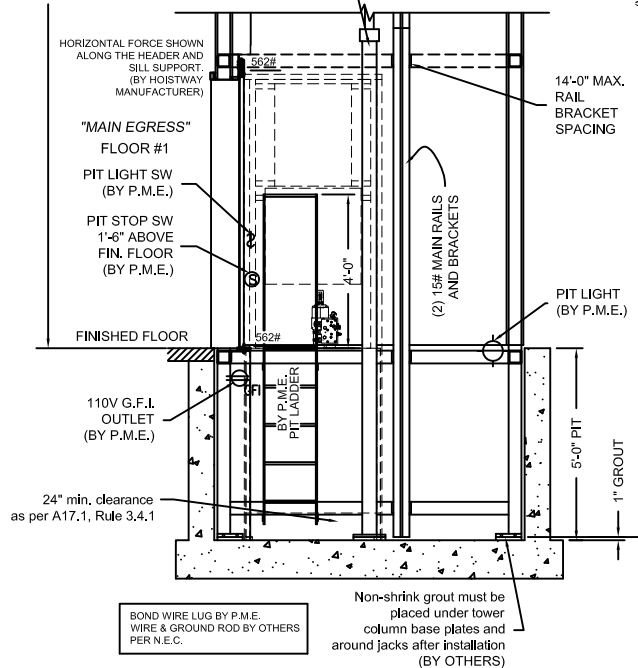
MODEL SLF / SLFR HYDRO PIT PLAN - HOLELESS JACKS

SIZE A	REV	REV. DATE	FILE NO.
SCALE: 1/2"=1'-0"		DATE:	DWG NO. <b>SLX-P2</b>



FLOOR TO FLOOR DISTANCE	FLOOR MARKING	FLOOR NUMBER
VARIES	4	4
VARIES	3	3
VARIES	2	2
VARIES	☆1	1
VARIES	NET FLOOR TRAVEL	
VARIES	TOP OVERTRAVEL	
9-1/2" TYP	BOTTOM OVERTRAVEL	
VARIES	TOTAL TRAVEL	

(2) TWIN JACKS  
PISTON LENGTH = to be determined  
CYLINDER LENGTH = to be determined  
CLEARANCE PROVIDED BETWEEN PISTON & CYLINDER WHEN CAR IS ON COMPRESSED SPRINGS IS 1"



## SECTION VIEW

NOT TO SCALE

The section view is for informational / dimensional data. See the hoistway plan view for actual equipment locations.

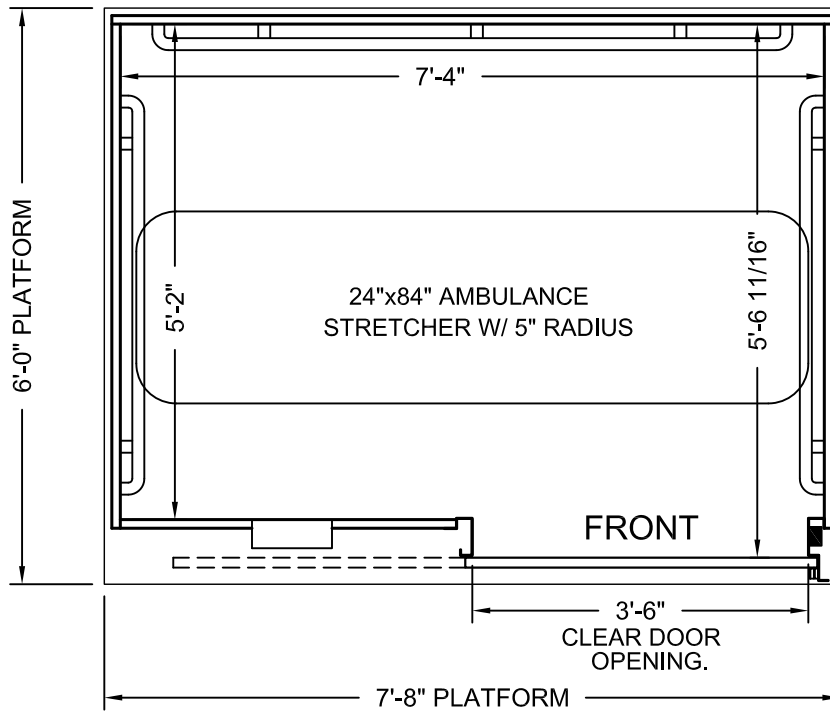
Issue Date:



**PHOENIX MODULAR ELEVATOR INC.**  
4800 PHOENIX DRIVE, MT. VERNON, ILLINOIS 62864  
PHONE: (618)-244-2314 FAX: (618)-244-1923  
E-mail: [Info@phoenixmodularelevator.com](mailto:Info@phoenixmodularelevator.com)  
Web page: [www.phoenixmodularelevator.com](http://www.phoenixmodularelevator.com)

## SECTION VIEW FOR HOLELESS JACK SYSTEM

SIZE A	REV	REV. DATE	FILE NO.
SCALE: N.T.S.	DATE:	DWG NO.	SV-TJ/TTJ



### PLAN VIEW

Elevator car designed to accommodate ambulance stretcher as per IBC Section 3002.4  
Capacity = 3500 lbs.

Car enclosure - laminate on wood  
*All material for car enclosures meet the requirements of ASME A17.1 RULE 2.14.2.1*

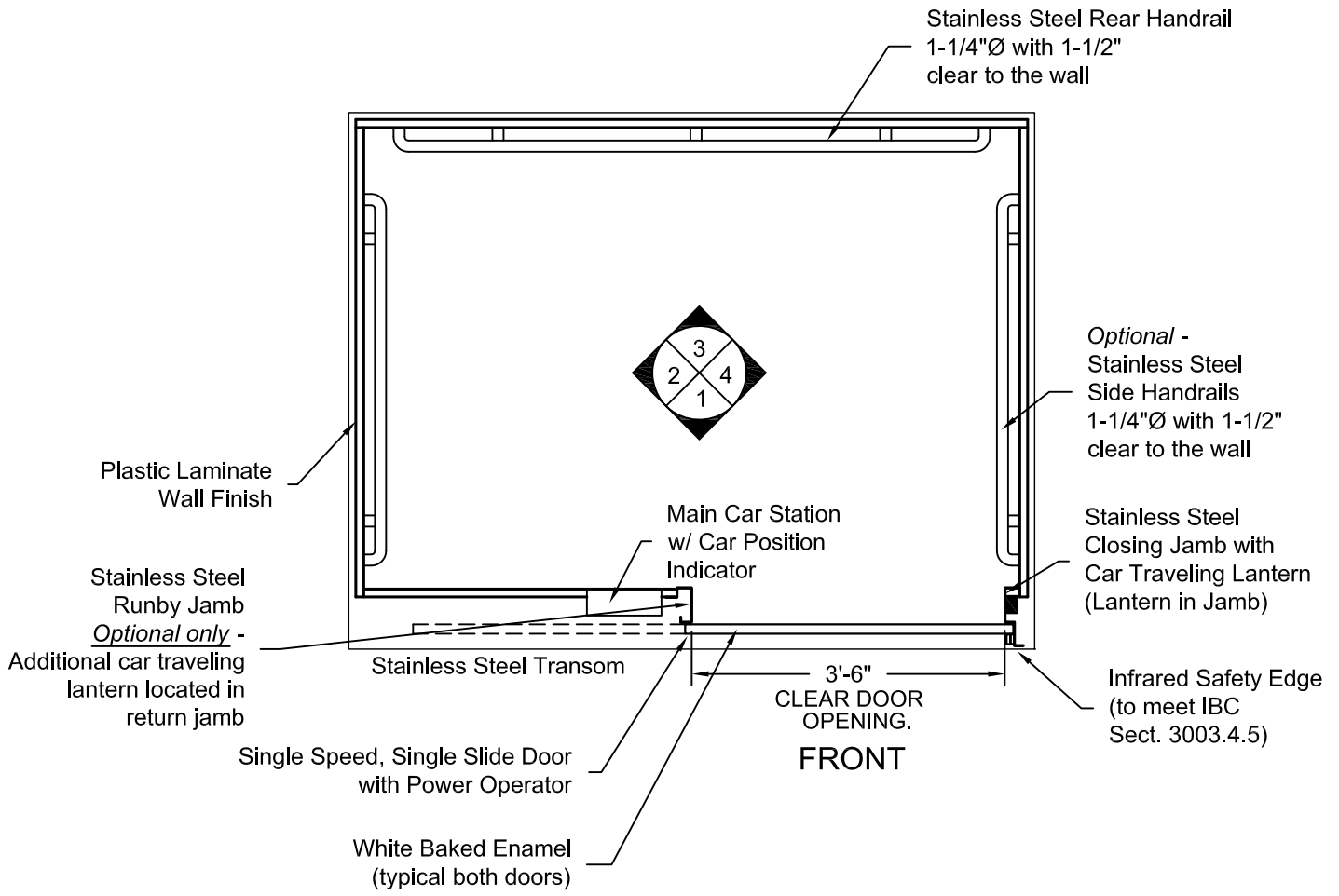
Issue Date:



**PHOENIX MODULAR ELEVATOR INC.**  
4800 PHOENIX DRIVE, MT. VERNON, ILLINOIS 62864  
PHONE: (618)-244-2314 FAX: (618)-244-1923  
E-mail: info@phoenixmodularelevator.com  
Web page: www.phoenixmodularelevator.com

### FRONT EXIT ELEVATOR CAB

SIZE A	REV	REV. DATE	FILE NO.
SCALE: N.T.S.	DATE:	DWG NO. CAB-SLF-1	



**PLAN VIEW**  
**RIGHT FRONT DOOR**  
**(MIRROR IMAGE IS AVAILABLE)**

Issue Date:

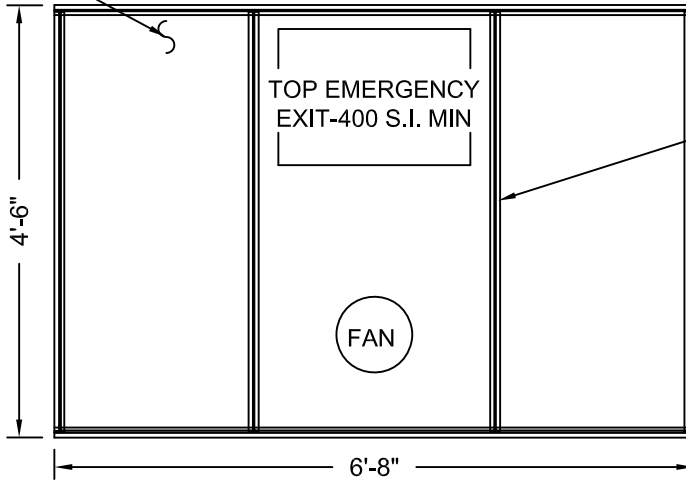


**PHOENIX MODULAR ELEVATOR INC.**  
4800 PHOENIX DRIVE, MT. VERNON, ILLINOIS 62864  
PHONE: (618)-244-2314 FAX: (618)-244-1923  
E-mail: info@phoenixmodularelevator.com  
Web page: www.phoenixmodularelevator.com

**FRONT EXIT ELEVATOR CAB - PLAN VIEW**

SIZE A	REV	REV. DATE	FILE NO.
SCALE: N.T.S.	DATE:	DWG NO. CAB-SLF-2	

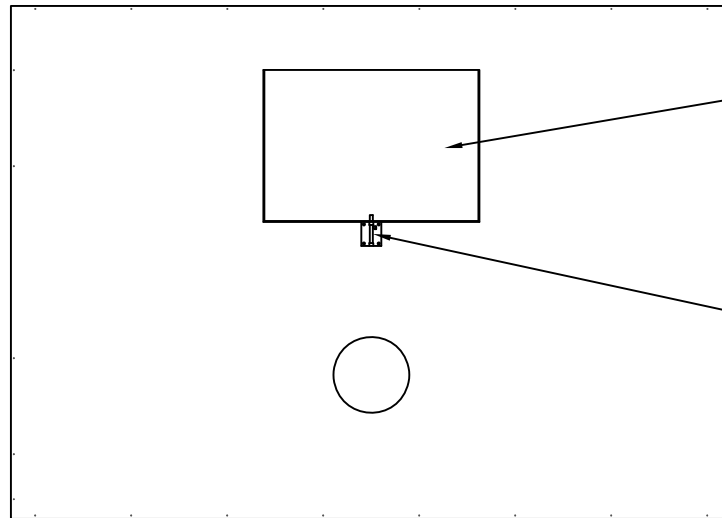
Removable Polycarbonate Ceiling Panels



Aluminum T-Bar

Aluminum Frame

**REFLECTIVE CEILING PLAN**



Steel, Emergency Hatch Door

Barrel Slide Bolt

**ROOF PLAN VIEW  
EMERGENCY EXIT DOOR**

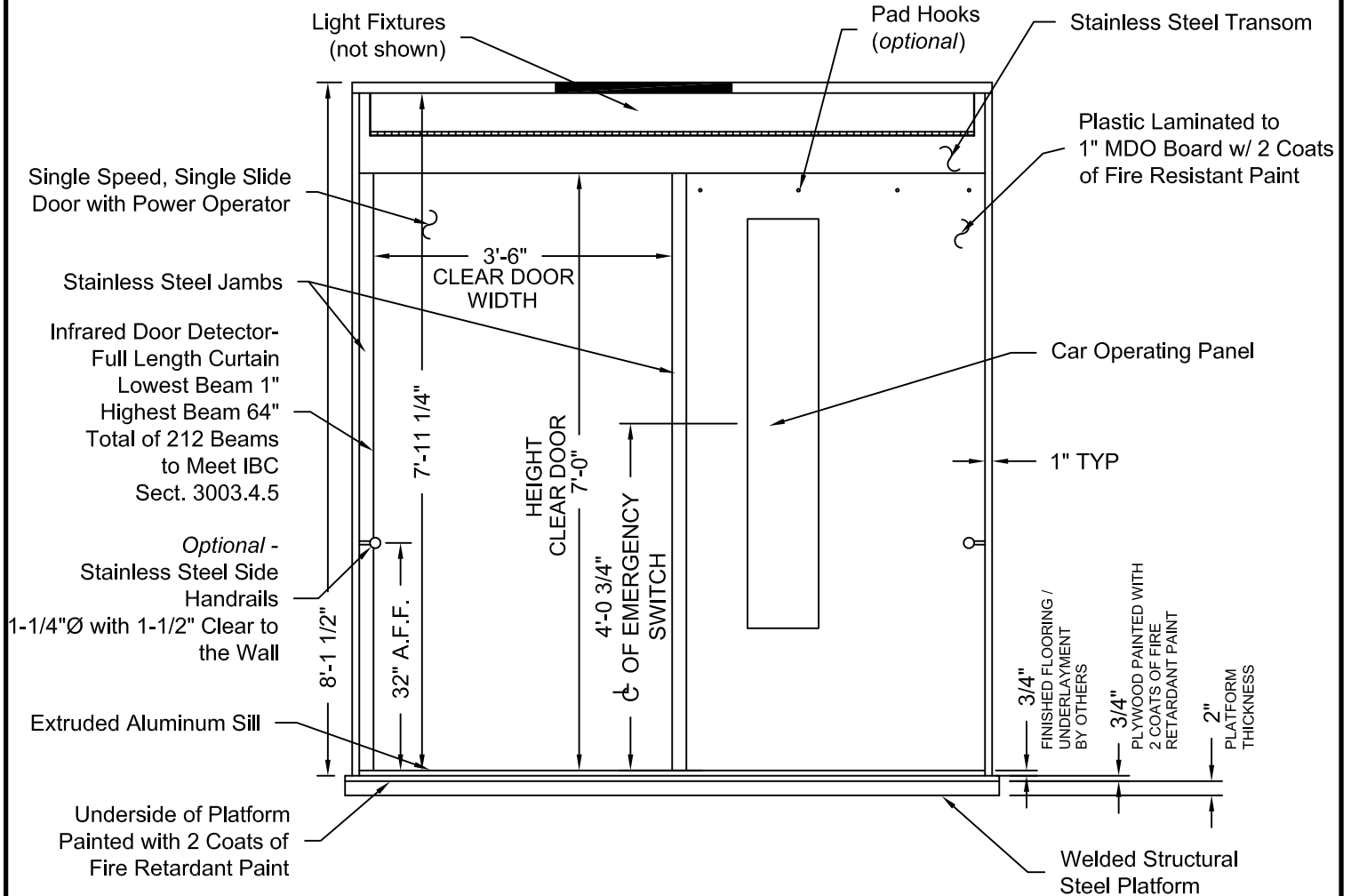
Issue Date:



**PHOENIX MODULAR ELEVATOR INC.**  
 4800 PHOENIX DRIVE, MT. VERNON, ILLINOIS 62864  
 PHONE: (618)-244-2314 FAX: (618)-244-1923  
 E-mail: info@phoenixmodularelevator.com  
 Web page: www.phoenixmodularelevator.com

**CEILING PLAN - front exit elevator car**

SIZE A	REV	REV. DATE	FILE NO.
SCALE: N.T.S.	DATE:	DWG NO. CAB-SLF-3	



**ELEVATION NO. 1**

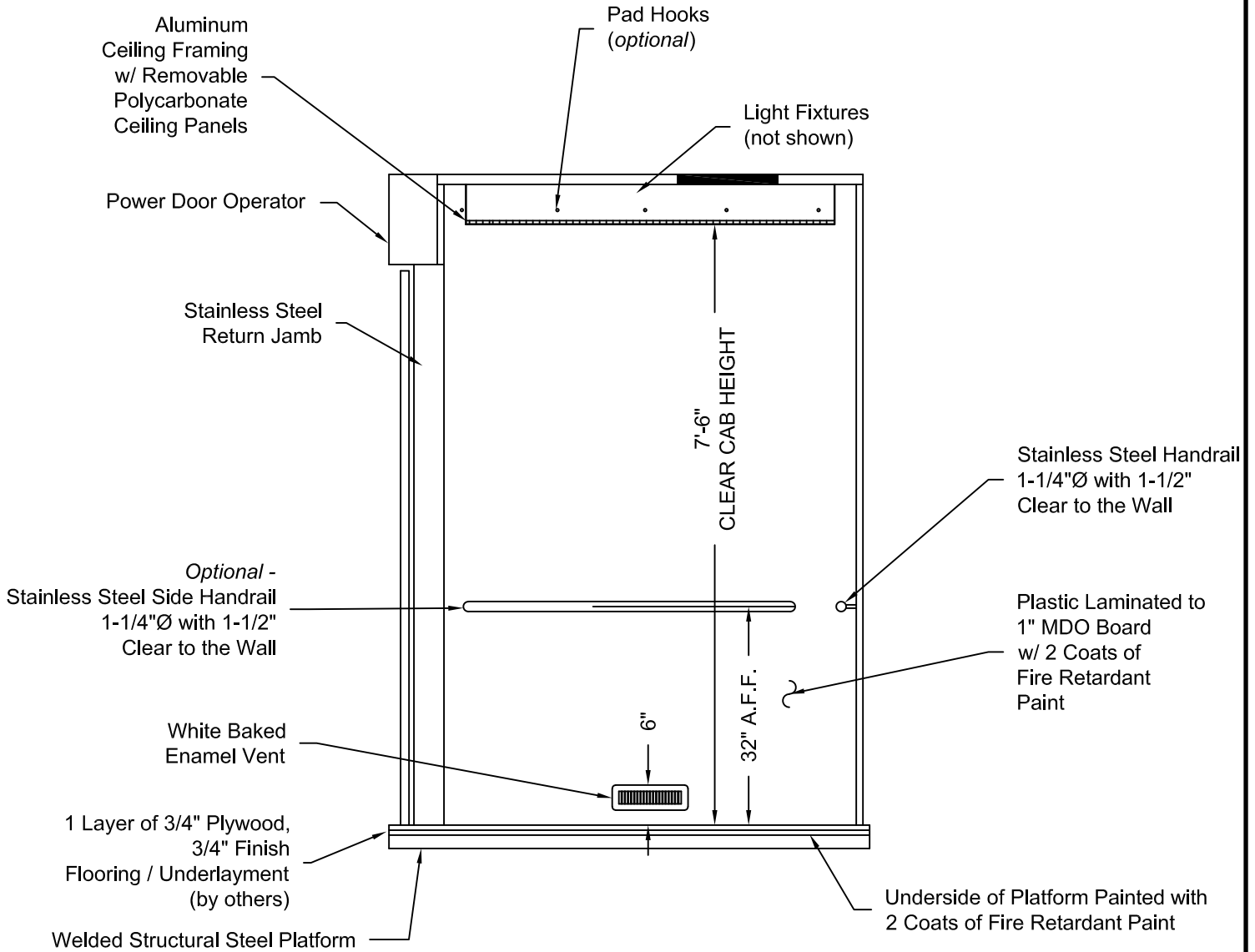
Issue Date:



**PHOENIX MODULAR ELEVATOR INC.**  
 4800 PHOENIX DRIVE, MT. VERNON, ILLINOIS 62864  
 PHONE: (618)-244-2314 FAX: (618)-244-1923  
 E-mail: info@phoenixmodularelevator.com  
 Web page: www.phoenixmodularelevator.com

**ELEVATION NO. 1 - front exit elevator car**

SIZE A	REV	REV. DATE	FILE NO.
SCALE: N.T.S.	DATE:	DWG NO. CAB-SLF-4	



## ELEVATION NO. 2

Issue Date:

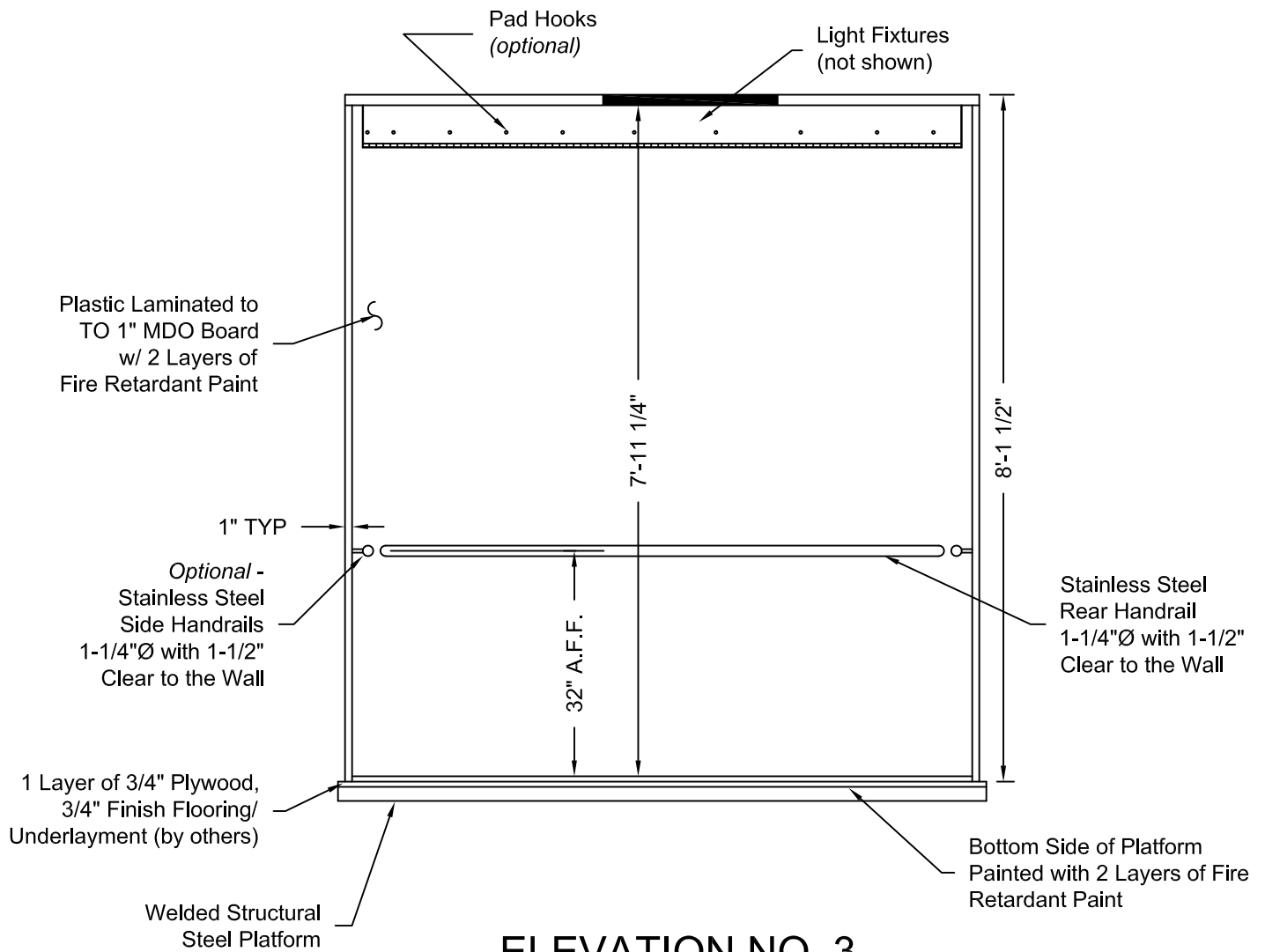


**PHOENIX MODULAR ELEVATOR INC.**  
 4800 PHOENIX DRIVE, MT. VERNON, ILLINOIS 62864  
 PHONE: (618)-244-2314 FAX: (618)-244-1923  
 E-mail: info@phoenixmodularelevator.com  
 Web page: www.phoenixmodularelevator.com

### ELEVATION NO. 2 - front exit elevator car

SIZE A	REV	REV. DATE	FILE NO.
SCALE: N.T.S.		DATE:	DWG NO. CAB-SLF-5





### ELEVATION NO. 3

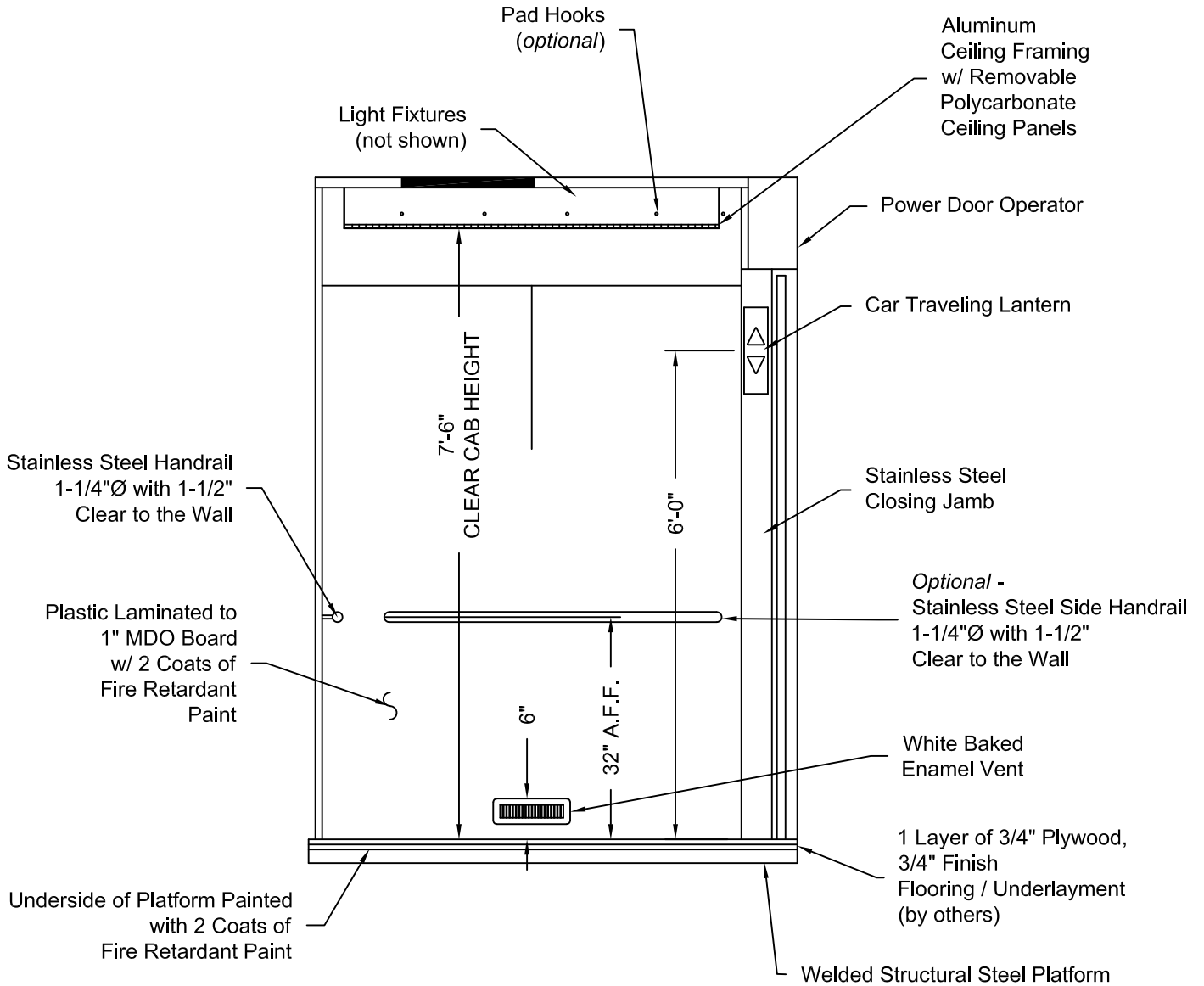
Issue Date:



**PHOENIX MODULAR ELEVATOR INC.**  
 4800 PHOENIX DRIVE, MT. VERNON, ILLINOIS 62864  
 PHONE: (618)-244-2314 FAX: (618)-244-1923  
 E-mail: info@phoenixmodularelevator.com  
 Web page: www.phoenixmodularelevator.com

#### ELEVATION NO.3 - front exit elevator car

SIZE A	REV	REV. DATE	FILE NO.
SCALE: N.T.S.	DATE:	DWG NO. CAB-SLF-6	



## ELEVATION NO. 4

Issue Date:



**PHOENIX MODULAR ELEVATOR INC.**  
 4800 PHOENIX DRIVE, MT. VERNON, ILLINOIS 62864  
 PHONE: (618)-244-2314 FAX: (618)-244-1923  
 E-mail: info@phoenixmodularelevator.com  
 Web page: www.phoenixmodularelevator.com

### ELEVATION NO. 4 - front exit elevator car

SIZE A	REV	REV. DATE	FILE NO.
SCALE: N.T.S.	DATE:	DWG NO. CAB-SLF-7	