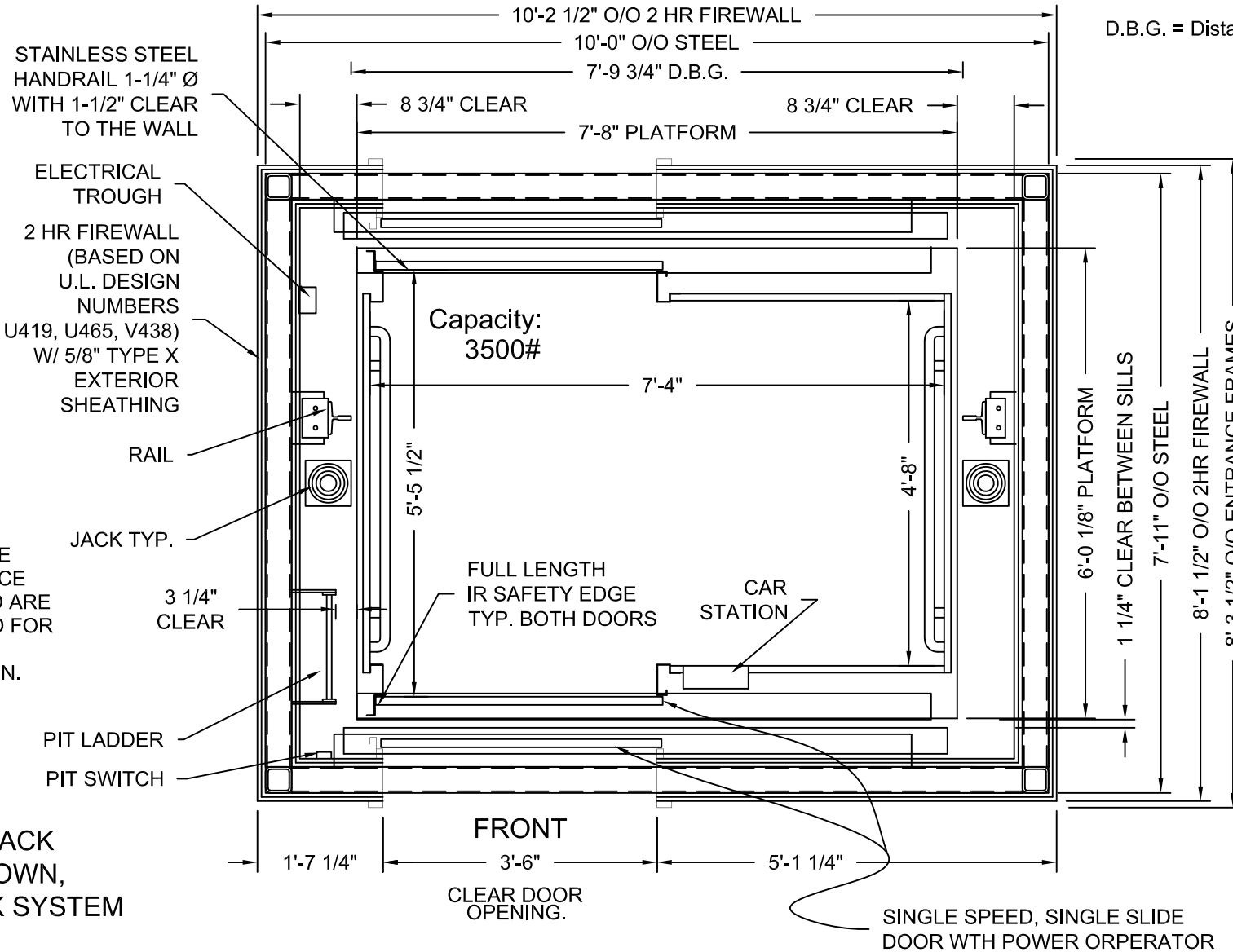


D.B.G. = Distance between guide rails.  
 O/O = Out to out  
 W/ = with



DRAWINGS ARE FOR REFERENCE USE ONLY AND ARE NOT INTENDED FOR PURPOSES OF CONSTRUCTION.

HOLELESS JACK SYSTEM SHOWN, HOLED JACK SYSTEM AVAILABLE

**STRETCHER COMPLIANT**  
**ADA COMPLIANT**

MODEL: AC3000/AC4000 SLFR  
 RIGHT HAND EXIT SHOWN - LEFT HAND EXIT OPPOSITE  
 TWO HOUR SHAFT RATING

MEETS IBC 2006/2009 SECTION 3002.4  
 Designed for 24"x84" ambulance stretcher / gurney

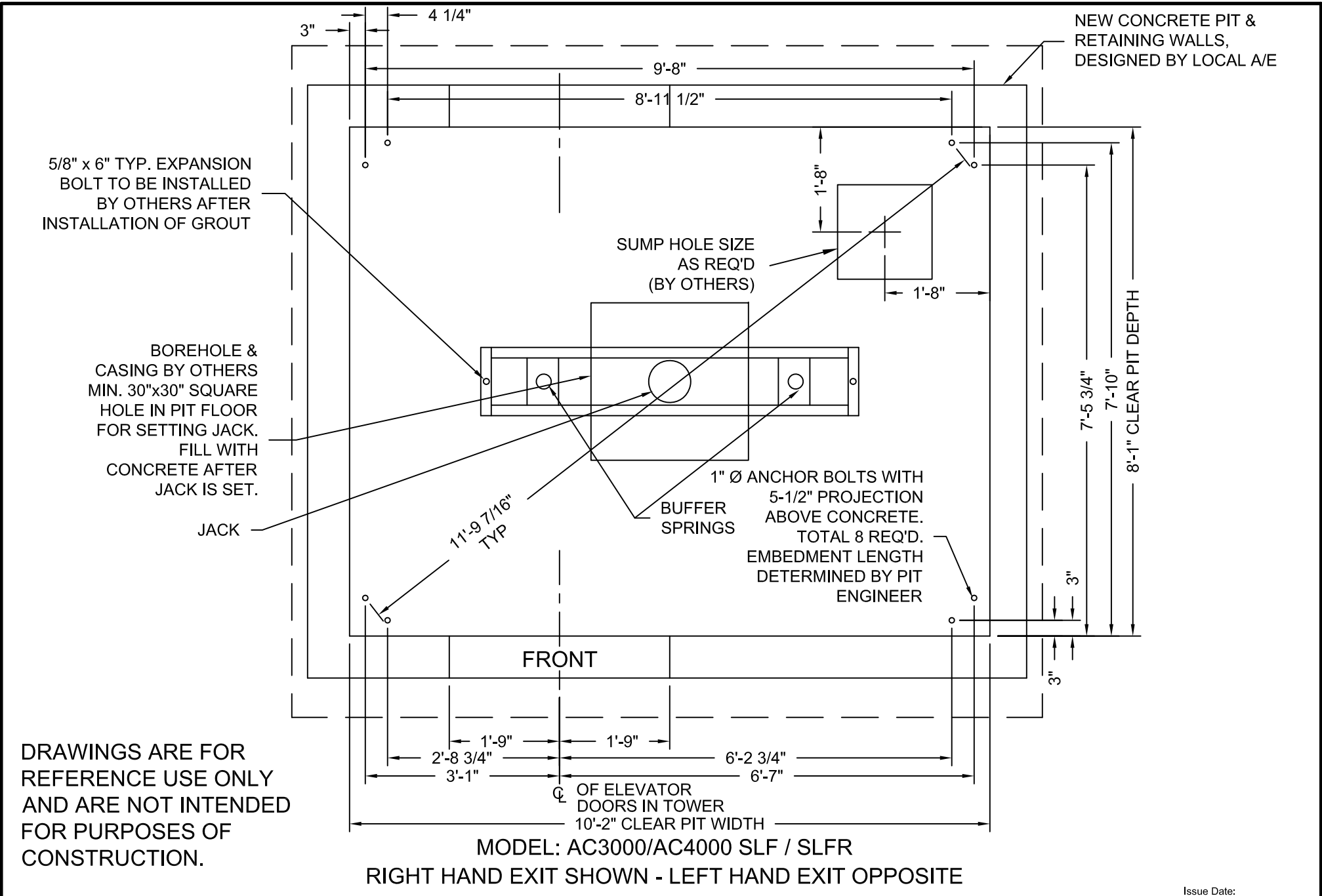
Issue Date:



**PHOENIX MODULAR ELEVATOR INC.**  
 4800 PHOENIX DRIVE, MT. VERNON, ILLINOIS 62864  
 PHONE: (618)-244-2314 FAX: (618)-244-1923  
 E-mail: [Info@phoenixmodularelevator.com](mailto:Info@phoenixmodularelevator.com)  
 Web page: [www.phoenixmodularelevator.com](http://www.phoenixmodularelevator.com)

**HOISTWAY & CAR PLAN - 2HR FIRE RATED HOISTWAY**

SIZE A	REV	REV. DATE	FILE NO.
SCALE: 1/2"=1'-0"		DATE:	DWG NO. <b>SLFR-2HR</b>



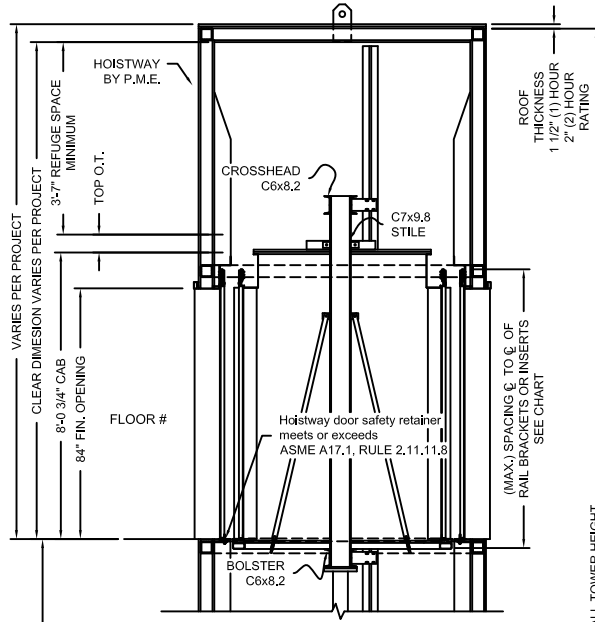
Issue Date:



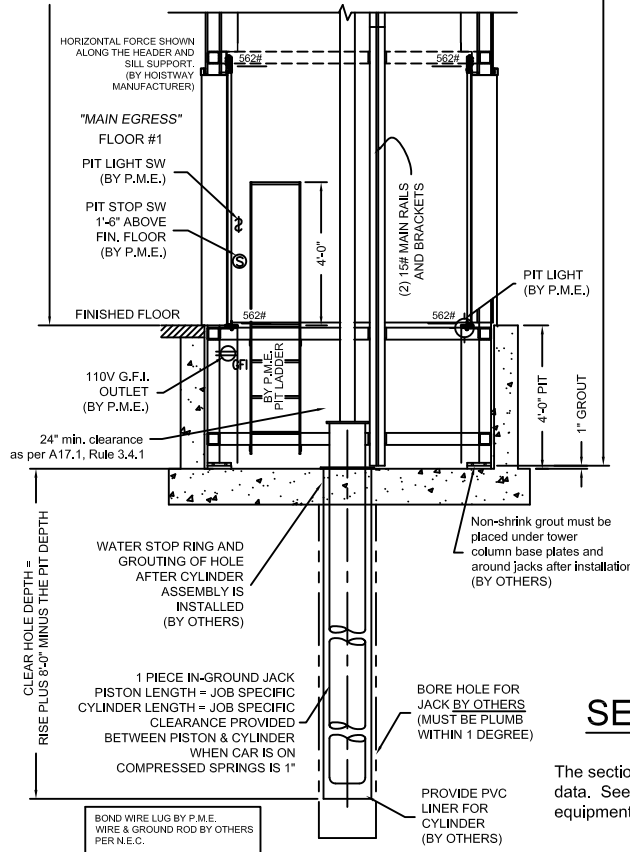
**PHOENIX MODULAR ELEVATOR INC.**  
 4800 PHOENIX DRIVE, MT. VERNON, ILLINOIS 62864  
 PHONE: (618)-244-2314 FAX: (618)-244-1923  
 E-mail: [info@phoenixmodularelevator.com](mailto:info@phoenixmodularelevator.com)  
 Web page: [www.phoenixmodularelevator.com](http://www.phoenixmodularelevator.com)

**MODEL SLF / SLFR PIT PLAN - HOLED JACK**

SIZE A	REV	REV. DATE	FILE NO.
SCALE: 1/2"=1'-0"		DATE:	DWG NO. <b>SLX-P1</b>



FLOOR TO FLOOR DISTANCE	FLOOR MARKING	FLOOR NUMBER
VARIES	4	4
VARIES	3	3
VARIES	2	2
	☆1	1
VARIES	NET FLOOR TRAVEL	
VARIES	TOP OVERTRAVEL	
9-1/2" TYP	BOTTOM OVERTRAVEL	
VARIES	TOTAL TRAVEL	



### SECTION VIEW

NOT TO SCALE

The section view is for informational / dimensional data. See the hoistway plan view for actual equipment locations.

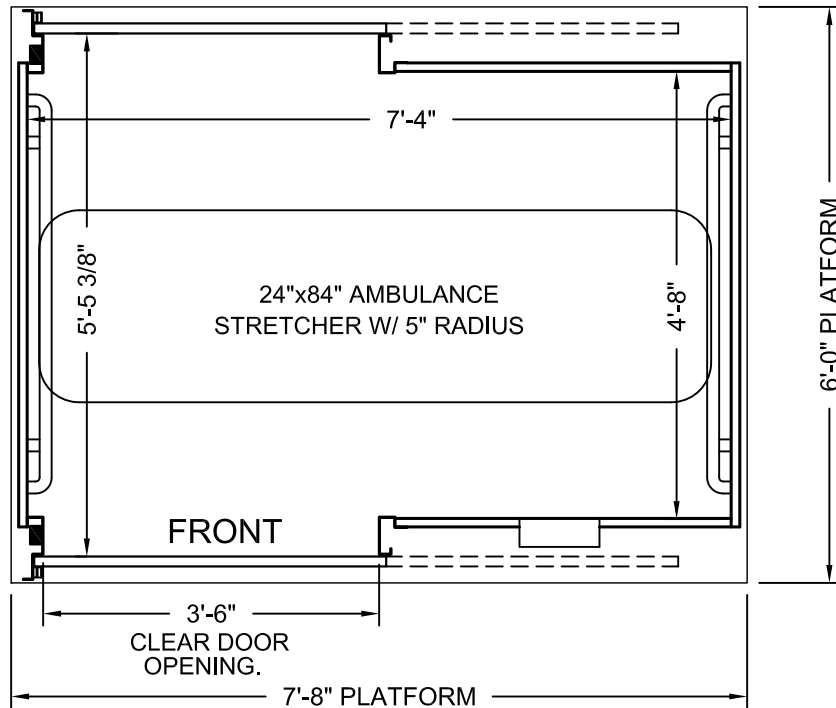
Issue Date:



**PHOENIX MODULAR ELEVATOR INC.**  
 4800 PHOENIX DRIVE, MT. VERNON, ILLINOIS 62864  
 PHONE: (618)-244-2314 FAX: (618)-244-1923  
 E-mail: [Info@phoenixmodularelevator.com](mailto:Info@phoenixmodularelevator.com)  
 Web page: [www.phoenixmodularelevator.com](http://www.phoenixmodularelevator.com)

### SECTION VIEW FOR HOLED JACK SYSTEM

SIZE A	REV	REV. DATE	FILE NO.
SCALE: N.T.S.	DATE:	DWG NO.	SV-BH



### PLAN VIEW

Elevator car designed to accommodate ambulance stretcher as per IBC Section 3002.4  
Capacity = 3500 lbs.

Car enclosure - laminate on wood  
*All material for car enclosures meet the requirements of ASME A17.1 RULE 2.14.2.1*

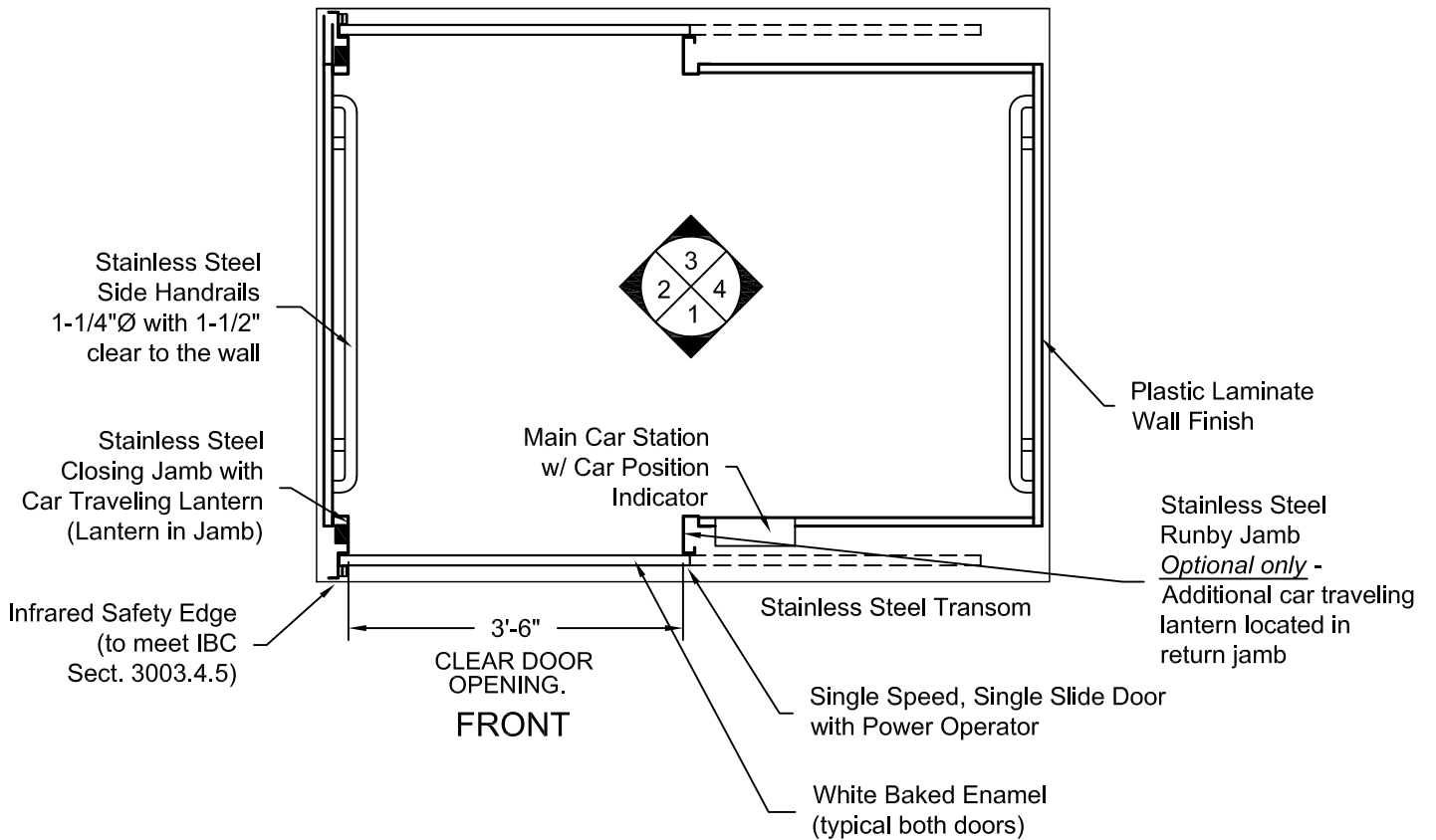
Issue Date:



**PHOENIX MODULAR ELEVATOR INC.**  
4800 PHOENIX DRIVE, MT. VERNON, ILLINOIS 62864  
PHONE: (618)-244-2314 FAX: (618)-244-1923  
E-mail: [Info@phoenixmodularelevator.com](mailto:Info@phoenixmodularelevator.com)  
Web page: [www.phoenixmodularelevator.com](http://www.phoenixmodularelevator.com)

#### FRONT/REAR EXIT ELEVATOR CAB

SIZE A	REV	REV. DATE	FILE NO.
SCALE: N.T.S.	DATE:	DWG NO. CAB-SLFR-1	



**PLAN VIEW**  
**RIGHT FRONT DOOR**  
**(MIRROR IMAGE IS AVAILABLE)**

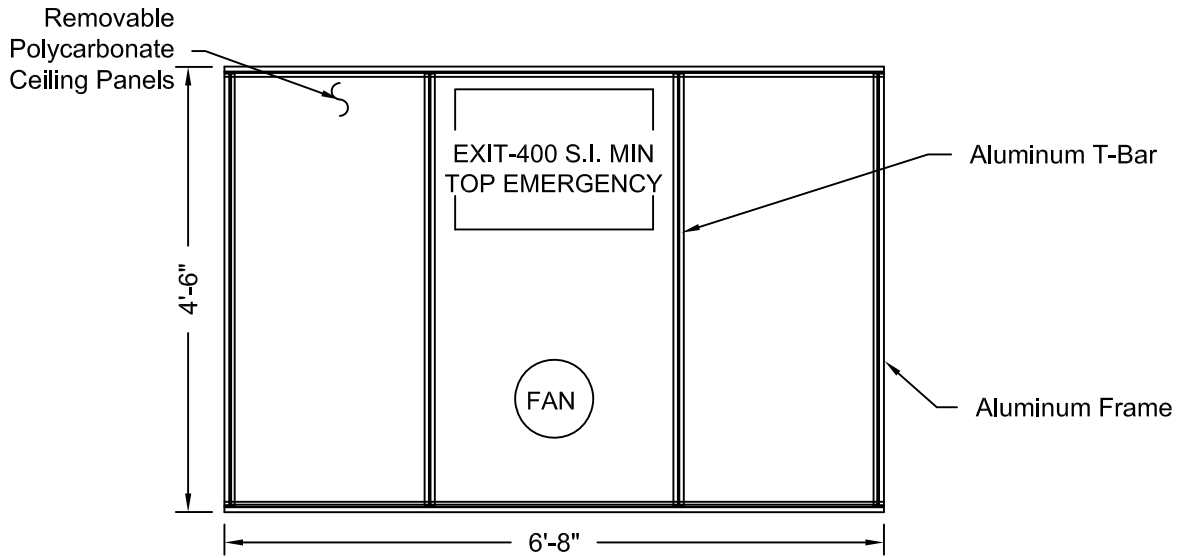
Issue Date:



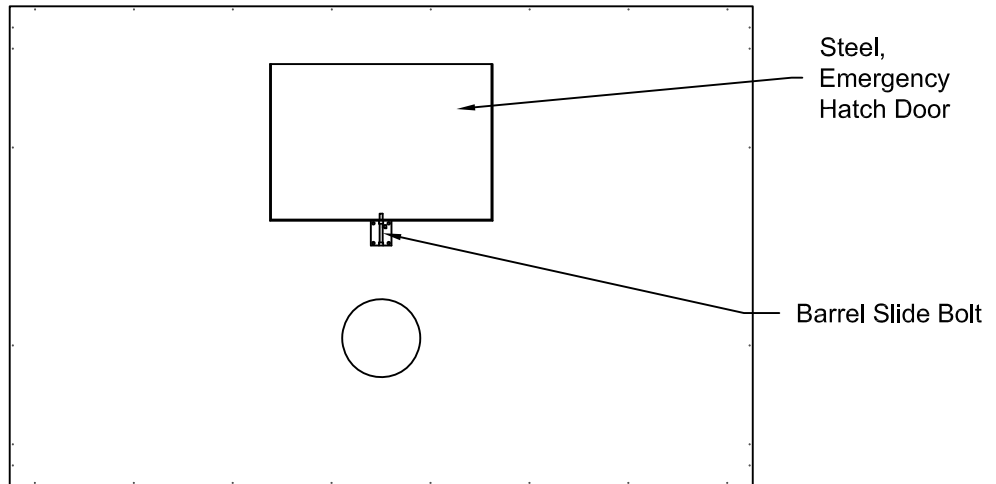
**PHOENIX MODULAR ELEVATOR INC.**  
 4800 PHOENIX DRIVE, MT. VERNON, ILLINOIS 62864  
 PHONE: (618)-244-2314 FAX: (618)-244-1923  
 E-mail: [Info@phoenixmodularelevator.com](mailto:Info@phoenixmodularelevator.com)  
 Web page: [www.phoenixmodularelevator.com](http://www.phoenixmodularelevator.com)

**FRONT/REAR EXIT ELEVATOR CAB**

SIZE A	REV	REV. DATE	FILE NO.
SCALE: N.T.S.	DATE:	DWG NO. CAB-SLFR-2	



**REFLECTIVE CEILING PLAN**



**ROOF PLAN VIEW  
EMERGENCY EXIT DOOR**

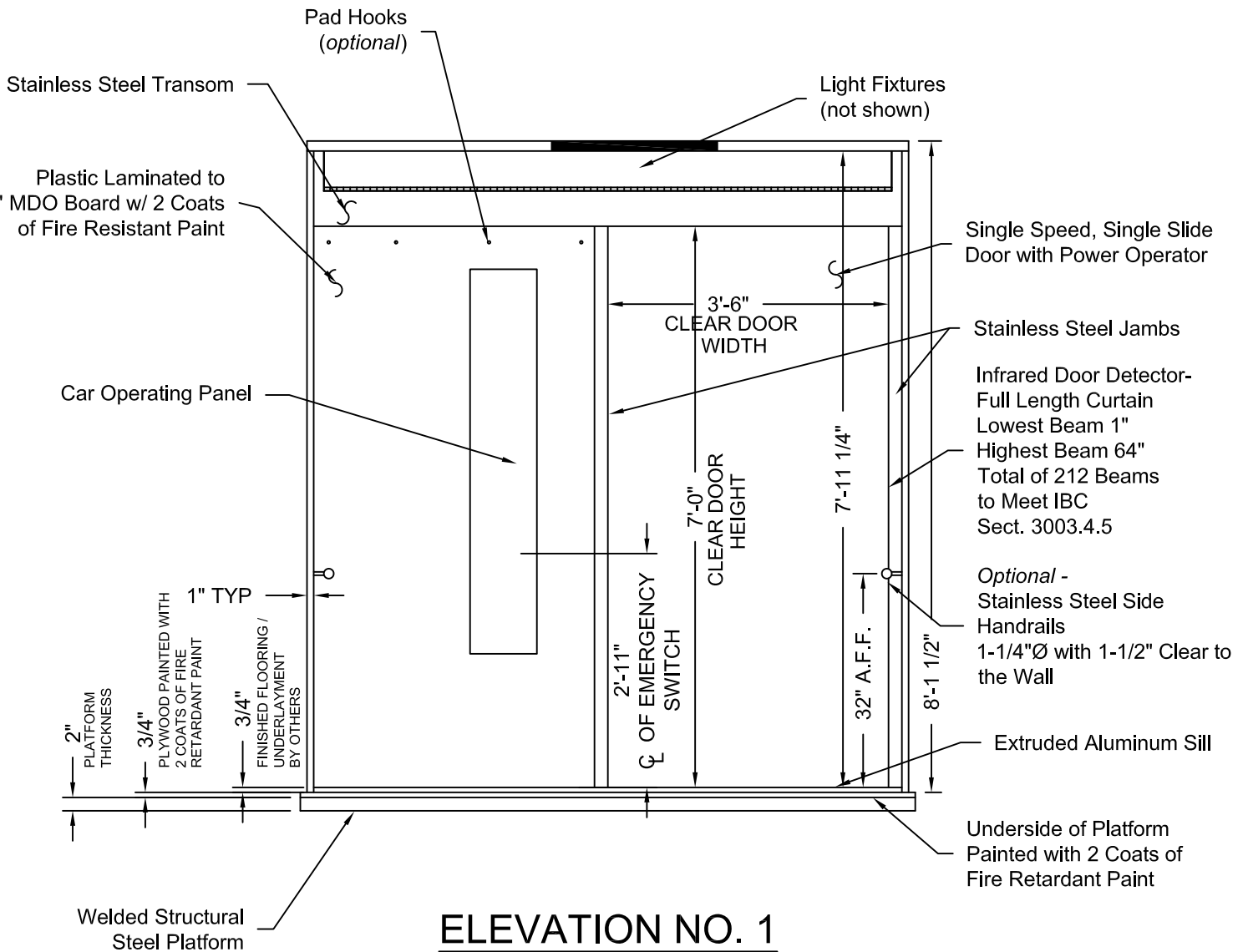
Issue Date:



**PHOENIX MODULAR ELEVATOR INC.**  
 4800 PHOENIX DRIVE, MT. VERNON, ILLINOIS 62864  
 PHONE: (618)-244-2314 FAX: (618)-244-1923  
 E-mail: [Info@phoenixmodularelevator.com](mailto:Info@phoenixmodularelevator.com)  
 Web page: [www.phoenixmodularelevator.com](http://www.phoenixmodularelevator.com)

**CEILING PLAN - front/rear exit elevator car**

SIZE A	REV	REV. DATE	FILE NO.
SCALE: N.T.S.	DATE:	DWG NO. CAB-SLFR-3	



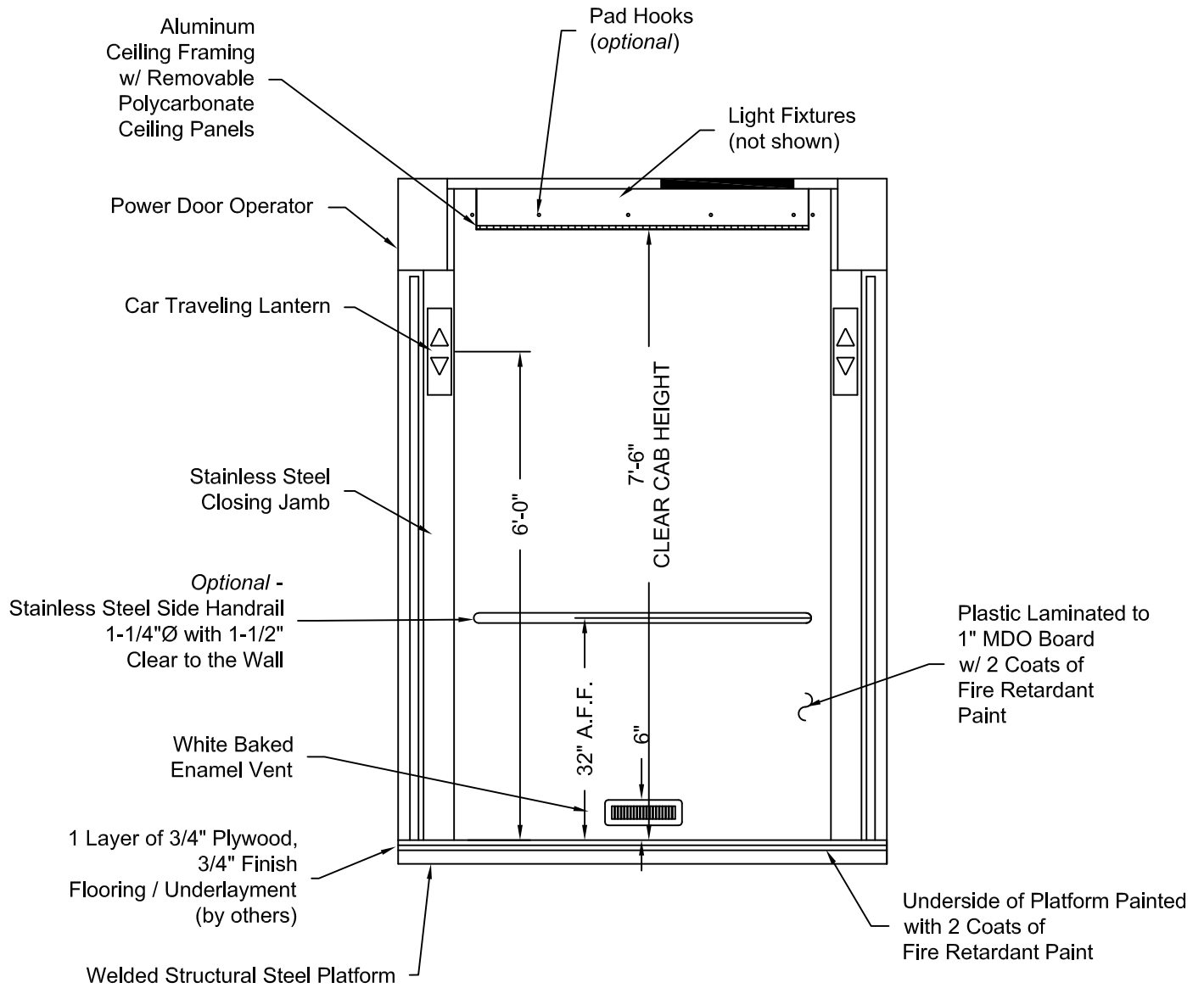
Issue Date:



**PHOENIX MODULAR ELEVATOR INC.**  
 4800 PHOENIX DRIVE, MT. VERNON, ILLINOIS 62864  
 PHONE: (618)-244-2314 FAX: (618)-244-1923  
 E-mail: info@phoenixmodularelevator.com  
 Web page: www.phoenixmodularelevator.com

**ELEVATION NO. 1 - front exit/rear elevator car**

SIZE A	REV	REV. DATE	FILE NO.
SCALE: N.T.S.	DATE:	DWG NO. CAB-SLFR-4	



## ELEVATION NO. 2

Issue Date:

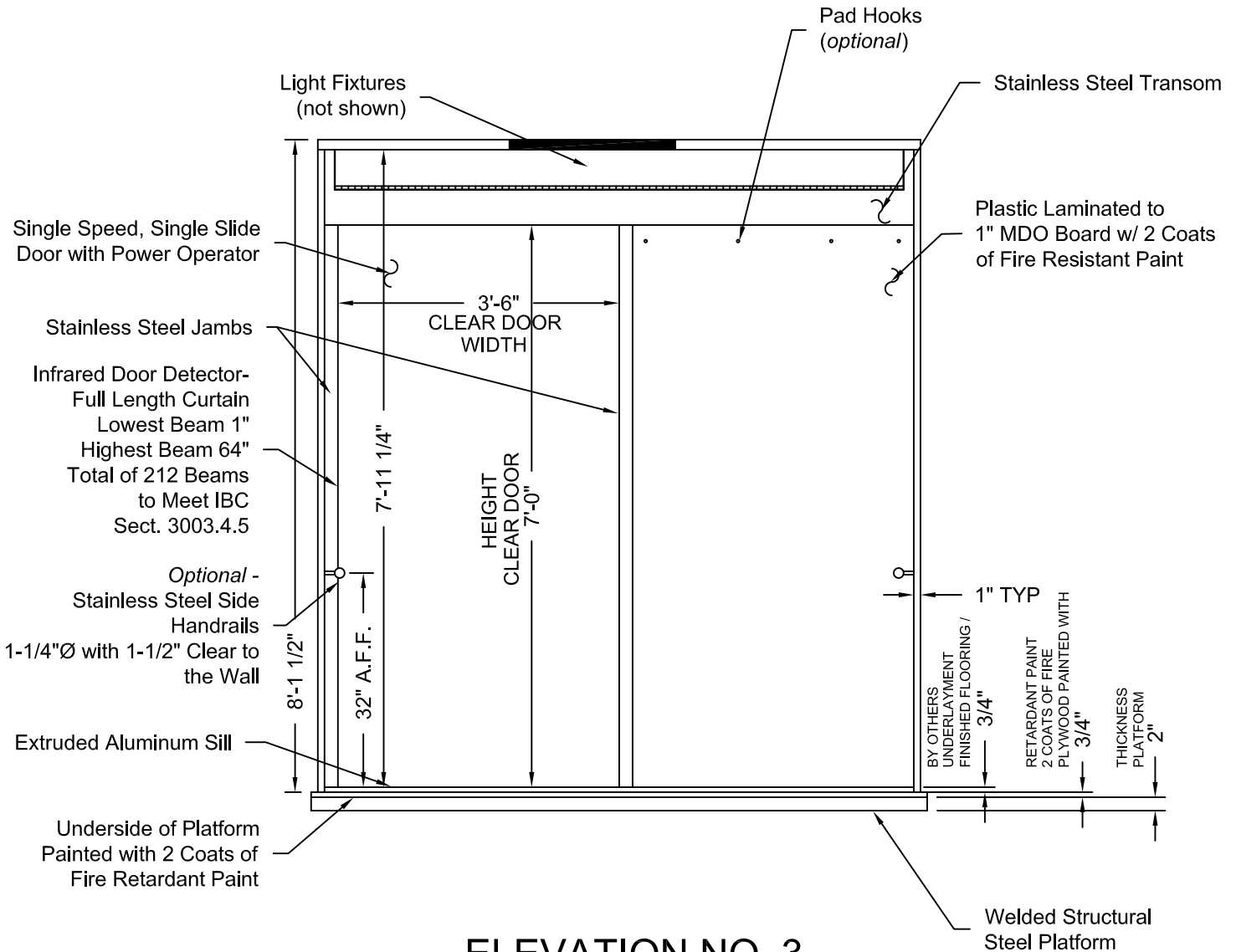


**PHOENIX MODULAR ELEVATOR INC.**  
 4800 PHOENIX DRIVE, MT. VERNON, ILLINOIS 62864  
 PHONE: (618)-244-2314 FAX: (618)-244-1923  
 E-mail: info@phoenixmodularelevator.com  
 Web page: www.phoenixmodularelevator.com

### ELEVATION NO. 2 - front/rear exit elevator car

SIZE A	REV	REV. DATE	FILE NO.
SCALE: N.T.S.		DATE:	DWG NO. CAB-SLFR-5





### ELEVATION NO. 3

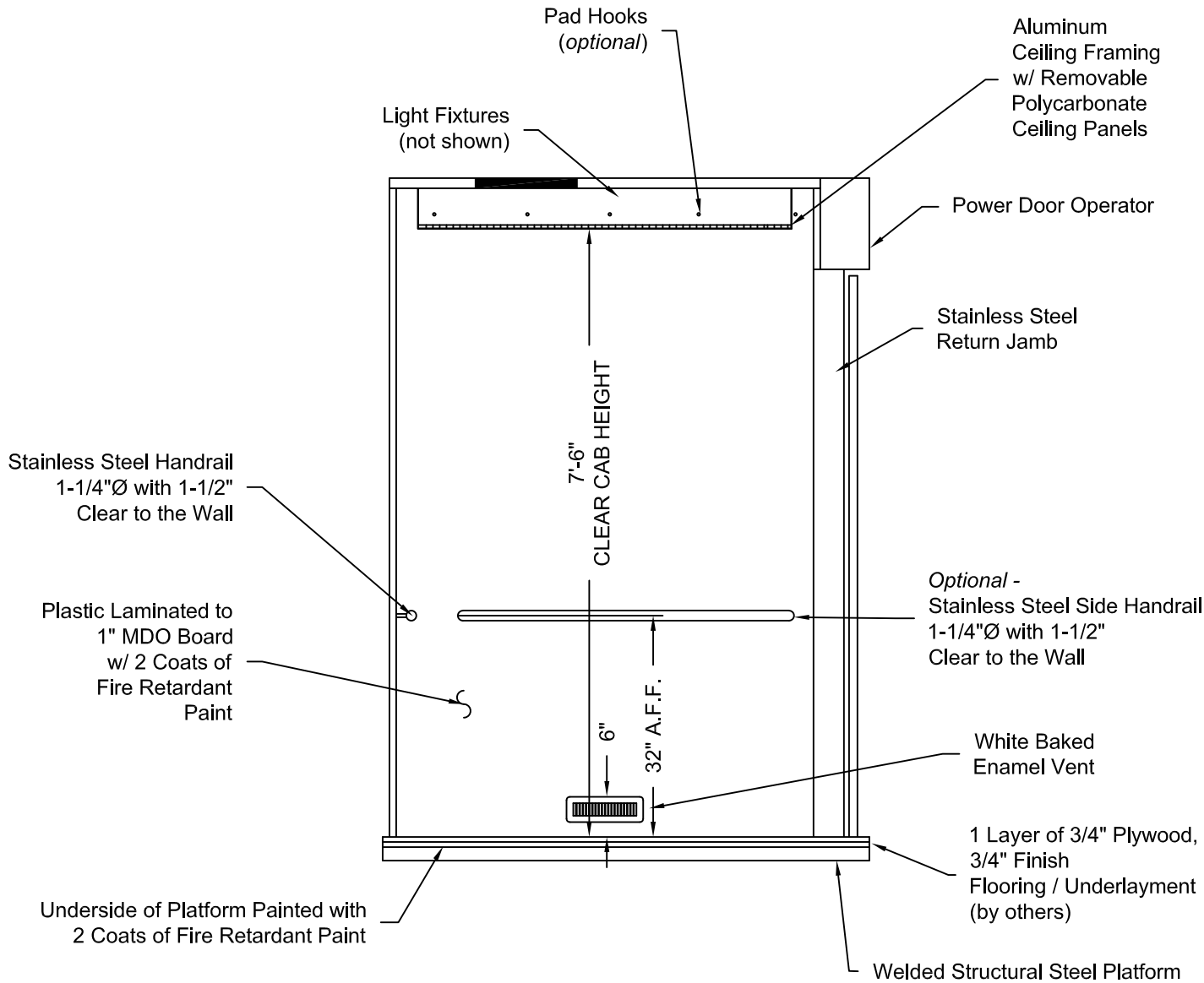
Issue Date:



**PHOENIX MODULAR ELEVATOR INC.**  
 4800 PHOENIX DRIVE, MT. VERNON, ILLINOIS 62864  
 PHONE: (618)-244-2314 FAX: (618)-244-1923  
 E-mail: info@phoenixmodularelevator.com  
 Web page: www.phoenixmodularelevator.com

### ELEVATION NO. 3 - front/rear exit elevator car

SIZE A	REV	REV. DATE	FILE NO.
SCALE: N.T.S.	DATE:	DWG NO. CAB-SLFR-6	



## ELEVATION NO. 4

Issue Date:



**PHOENIX MODULAR ELEVATOR INC.**  
 4800 PHOENIX DRIVE, MT. VERNON, ILLINOIS 62864  
 PHONE: (618)-244-2314 FAX: (618)-244-1923  
 E-mail: info@phoenixmodularelevator.com  
 Web page: www.phoenixmodularelevator.com

### ELEVATION NO. 4 - front exit elevator car

SIZE A	REV	REV. DATE	FILE NO.
SCALE: N.T.S.	DATE:	DWG NO. CAB-SLF-7	