

NET INSIDE CAB AREA - 37.89 SQ FT

D.B.G. = Distance between guide rails.

O/O = Out to out

W/ = with

DRAWINGS ARE FOR REFERENCE USE ONLY AND ARE NOT INTENDED FOR PURPOSES OF CONSTRUCTION.

STAINLESS STEEL HANDRAIL 1-1/4" Ø WITH 1-1/2" CLEAR TO THE WALL

ELECTRICAL TROUGH

1HR FIREWALL (BASED ON U.L. DESIGN NUMBERS U419, U465, V438) W/ 5/8" TYPE X EXTERIOR SHEATHING

RAIL

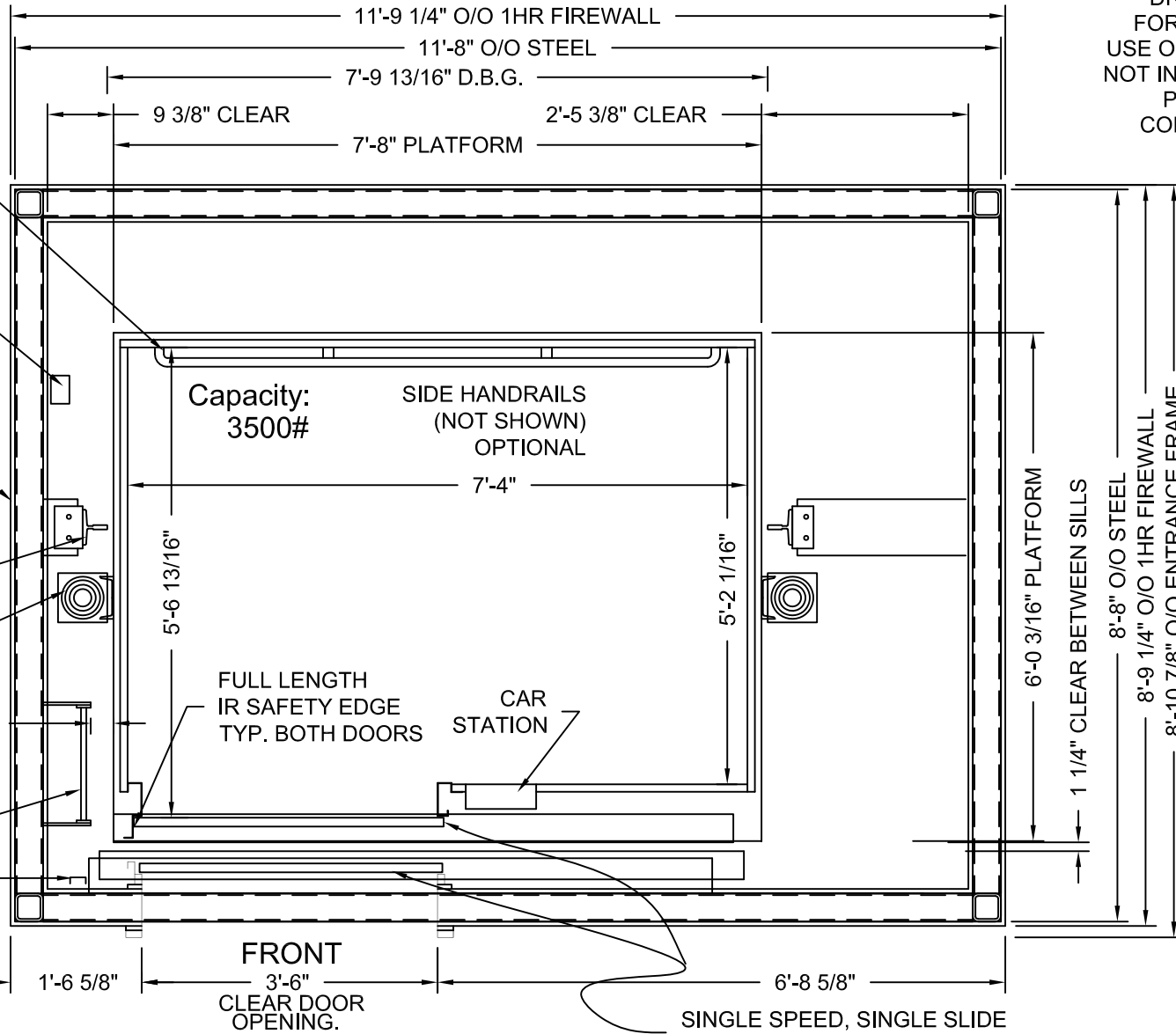
JACK TYP.

3 1/4" CLEAR

PIT LADDER

PIT SWITCH

HOLELESS JACK SYSTEM SHOWN, HOLED JACK SYSTEM AVAILABLE



Capacity: 3500#

SIDE HANDRAILS (NOT SHOWN) OPTIONAL

FULL LENGTH IR SAFETY EDGE TYP. BOTH DOORS

CAR STATION

SINGLE SPEED, SINGLE SLIDE DOOR WITH POWER OPERATOR

STRETCHER COMPLIANT
ADA COMPLIANT

MODEL: AC3000/AC4000 UFC
RIGHT HAND EXIT SHOWN - LEFT HAND EXIT OPPOSITE
ONE HOUR SHAFT RATING

MEETS IBC 2006/2009 SECTION 3002.4
Designed for 24"x84" ambulance stretcher / gurney
Issue Date:

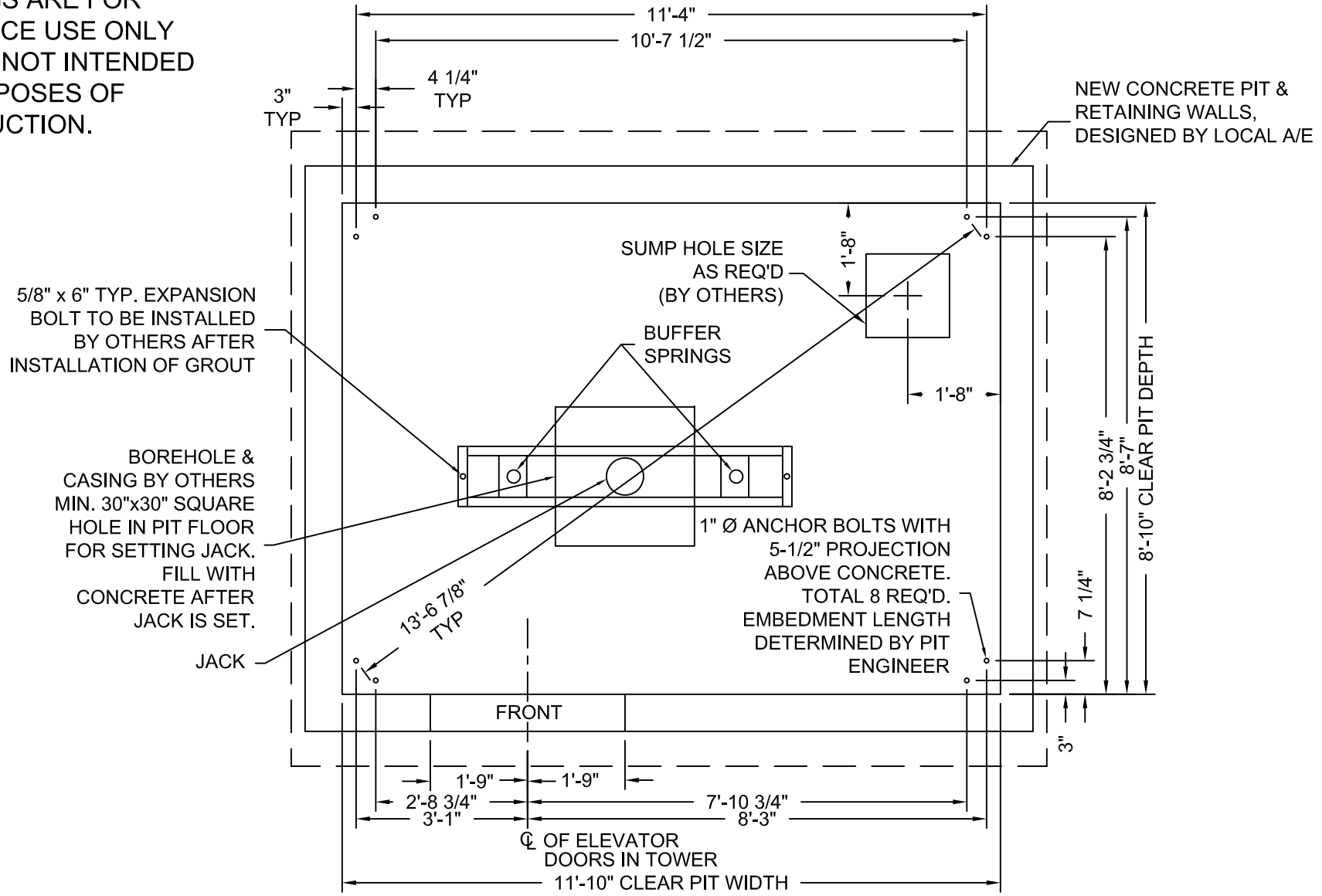


PHOENIX MODULAR ELEVATOR INC.
4800 PHOENIX DRIVE, MT. VERNON, ILLINOIS 62864
PHONE: (618)-244-2314 FAX: (618)-244-1923
E-mail: Info@phoenixmodularelevator.com
Web page: www.phoenixmodularelevator.com

HOISTWAY & CAR PLAN - 1HR FIRE RATED HOISTWAY

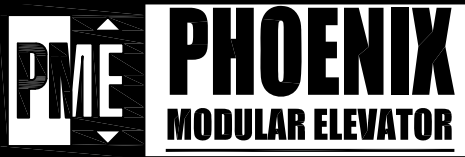
SIZE A	REV	REV. DATE	FILE NO.
SCALE: 1/2"=1'-0"		DATE:	DWG NO. UFC-1HR

DRAWINGS ARE FOR
REFERENCE USE ONLY
AND ARE NOT INTENDED
FOR PURPOSES OF
CONSTRUCTION.



MODEL: AC3000/AC4000 UFC / UFCR
RIGHT HAND EXIT SHOWN - LEFT HAND EXIT OPPOSITE

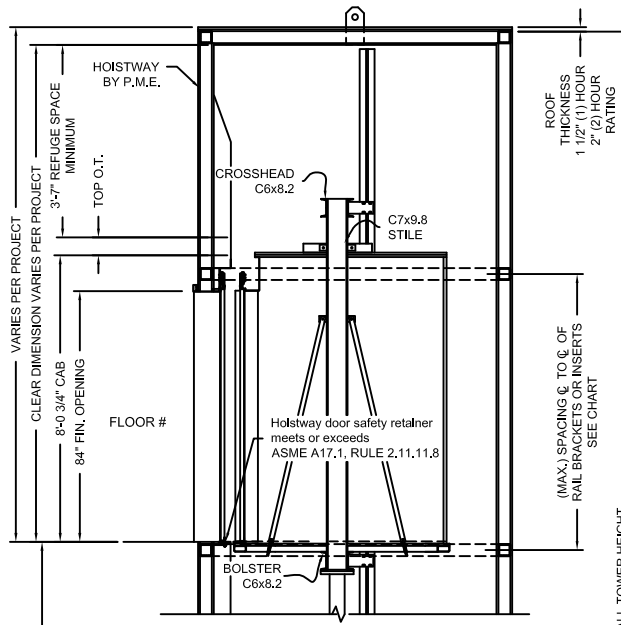
Issue Date:



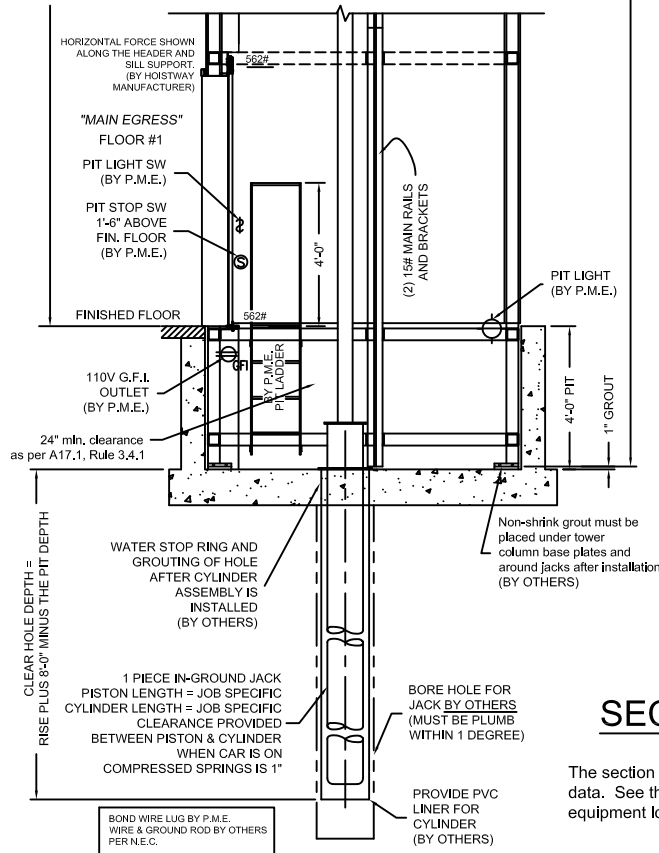
PHOENIX MODULAR ELEVATOR INC.
4800 PHOENIX DRIVE, MT. VERNON, ILLINOIS 62864
PHONE: (618)-244-2314 FAX: (618)-244-1923
E-mail: info@phoenixmodularelevator.com
Web page: www.phoenixmodularelevator.com

MODEL UFC / UFCR PIT PLAN - HOLED JACK

SIZE A	REV	REV. DATE	FILE NO.
SCALE: 3/8"=1'-0"		DATE:	DWG NO. UFC-P1



FLOOR TO FLOOR DISTANCE	FLOOR MARKING	FLOOR NUMBER
VARIABLES	4	4
VARIABLES	3	3
VARIABLES	2	2
	☆1	1
VARIABLES	NET FLOOR TRAVEL	
VARIABLES	TOP OVERTRAVEL	
9-1/2" TYP	BOTTOM OVERTRAVEL	
VARIABLES	TOTAL TRAVEL	



SECTION VIEW

NOT TO SCALE

The section view is for informational / dimensional data. See the hoistway plan view for actual equipment locations.

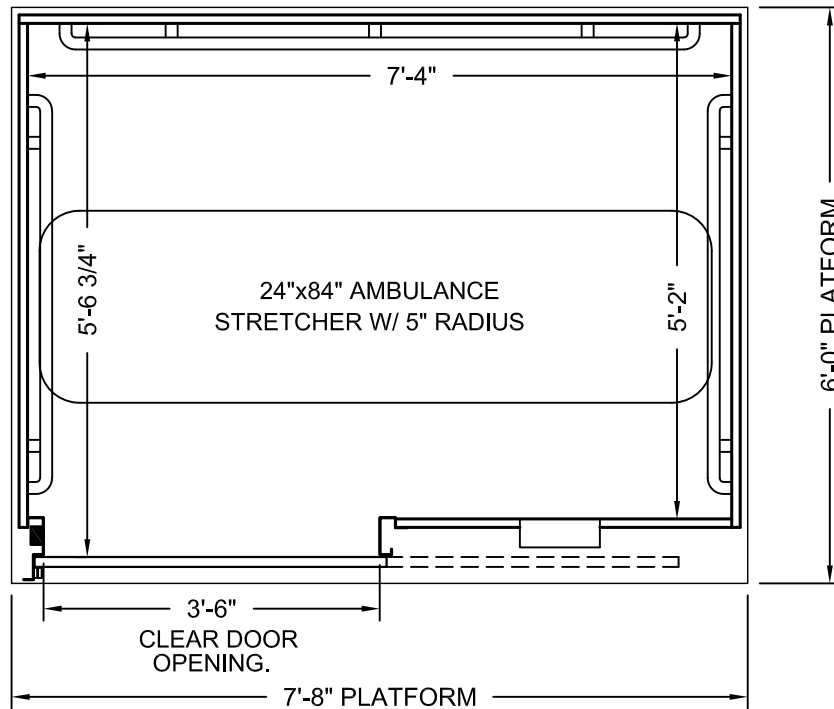
Issue Date:



PHOENIX MODULAR ELEVATOR INC.
 4800 PHOENIX DRIVE, MT. VERNON, ILLINOIS 62864
 PHONE: (618)-244-2314 FAX: (618)-244-1923
 E-mail: Info@phoenixmodularelevator.com
 Web page: www.phoenixmodularelevator.com

SECTION VIEW FOR HOLED JACK SYSTEM

SIZE A	REV	REV. DATE	FILE NO.
SCALE: N.T.S.	DATE:		DWG NO. SV-BH



PLAN VIEW

Elevator car designed to accommodate ambulance stretcher as per IBC Section 3002.4
Capacity = 3500 lbs.

Car enclosure - laminate on wood
All material for car enclosures meet the requirements of ASME A17.1 RULE 2.14.2.1

Issue Date:



PHOENIX MODULAR ELEVATOR INC.
4800 PHOENIX DRIVE, MT. VERNON, ILLINOIS 62864
PHONE: (618)-244-2314 FAX: (618)-244-1923
E-mail: info@phoenixmodularelevator.com
Web page: www.phoenixmodularelevator.com

FRONT EXIT ELEVATOR CAB

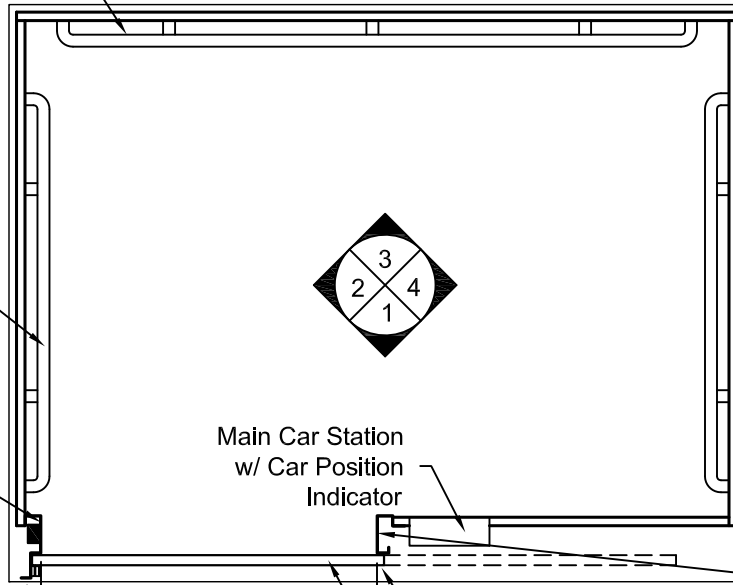
SIZE A	REV	REV. DATE	FILE NO.
SCALE: N.T.S.	DATE:	DWG NO. CAB-UFC-1	

Stainless Steel Rear Handrail
1-1/4"Ø with 1-1/2"
clear to the wall

Optional -
Stainless Steel
Side Handrails
1-1/4"Ø with 1-1/2"
clear to the wall

Stainless Steel
Closing Jamb with
Car Traveling Lantern
(Lantern in Jamb)

Infrared Safety Edge
(to meet IBC
Sect. 3003.4.5)



Plastic Laminate
Wall Finish

Stainless Steel
Runby Jamb
Optional only -
Additional car traveling
lantern located in
return jamb

Stainless Steel Transom

Single Speed, Single Slide Door
with Power Operator

White Baked Enamel
(typical both doors)

3'-6"
CLEAR DOOR
OPENING.

Main Car Station
w/ Car Position
Indicator

PLAN VIEW

RIGHT FRONT DOOR

(MIRROR IMAGE IS AVAILABLE)

Issue Date:

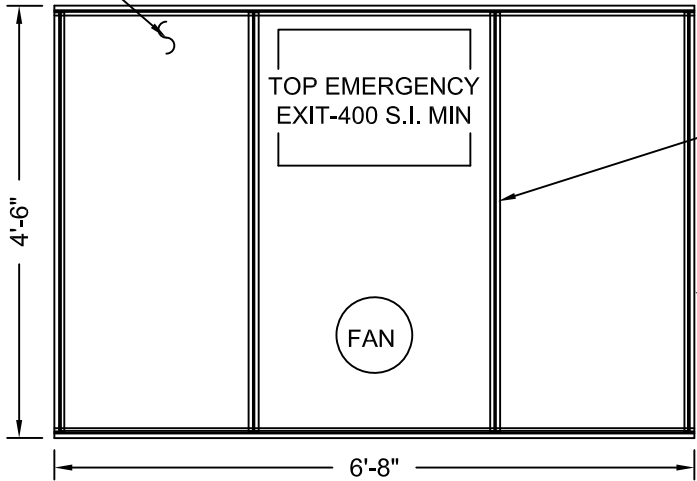


PHOENIX MODULAR ELEVATOR INC.
4800 PHOENIX DRIVE, MT. VERNON, ILLINOIS 62864
PHONE: (618)-244-2314 FAX: (618)-244-1923
E-mail: info@phoenixmodularelevator.com
Web page: www.phoenixmodularelevator.com

FRONT EXIT ELEVATOR CAB - PLAN VIEW

SIZE A	REV	REV. DATE	FILE NO.
SCALE: N.T.S.	DATE:	DWG NO. CAB-UFC-2	

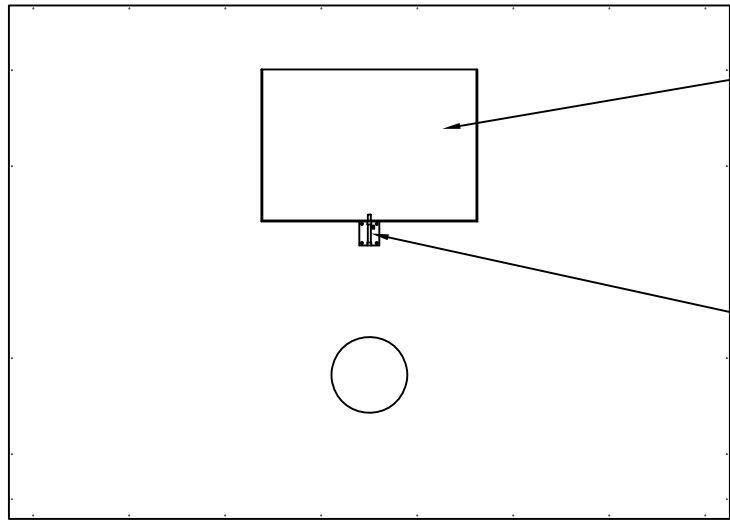
Removable Polycarbonate Ceiling Panels



Aluminum T-Bar

Aluminum Frame

REFLECTIVE CEILING PLAN



Steel, Emergency Hatch Door

Barrel Slide Bolt

**ROOF PLAN VIEW
EMERGENCY EXIT DOOR**

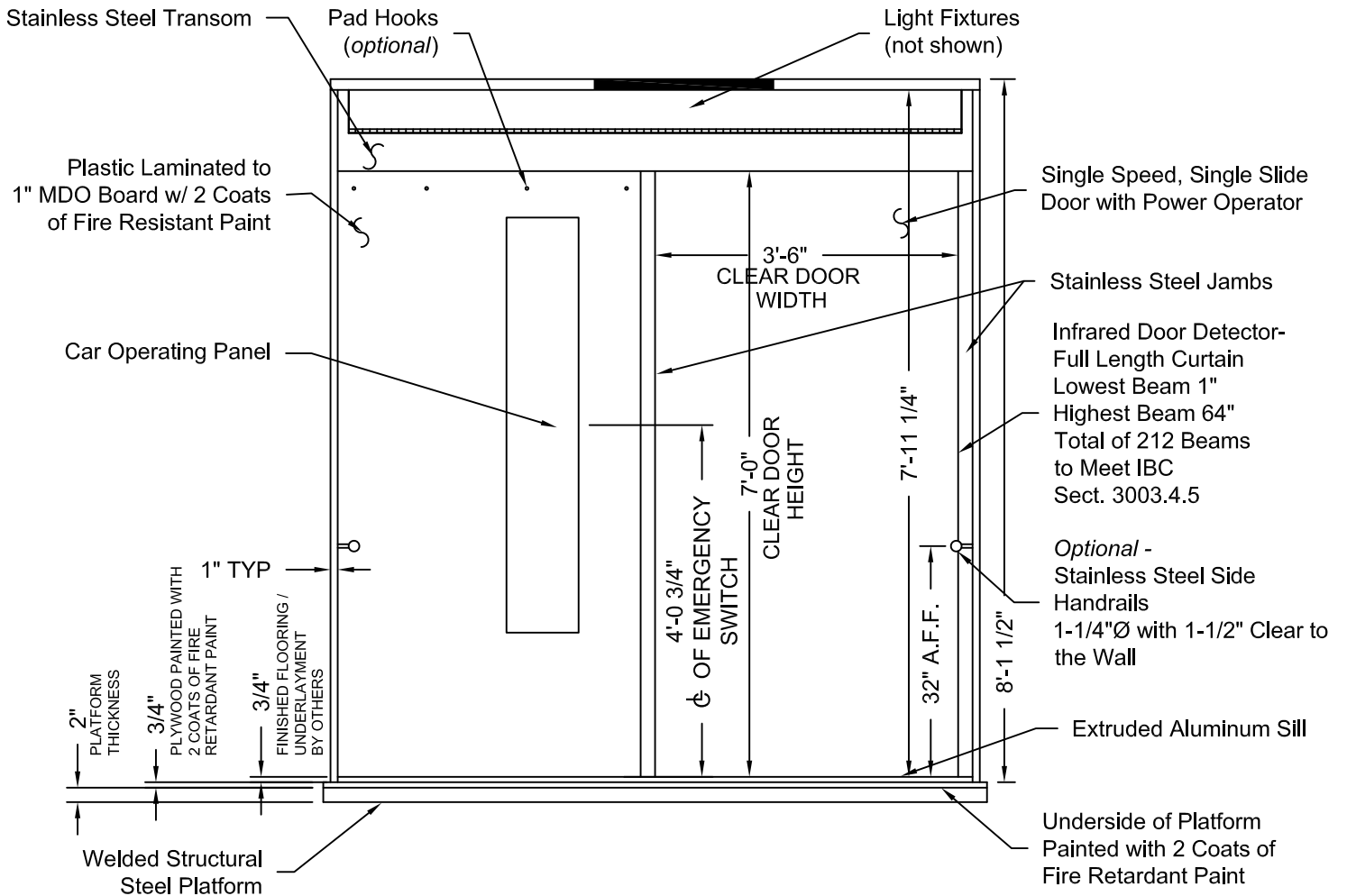
Issue Date:



PHOENIX MODULAR ELEVATOR INC.
 4800 PHOENIX DRIVE, MT. VERNON, ILLINOIS 62864
 PHONE: (618)-244-2314 FAX: (618)-244-1923
 E-mail: info@phoenixmodulelevator.com
 Web page: www.phoenixmodulelevator.com

CEILING PLAN - front exit elevator car

SIZE A	REV	REV. DATE	FILE NO.
SCALE: N.T.S.	DATE:	DWG NO. CAB-UFC-3	



ELEVATION NO. 1

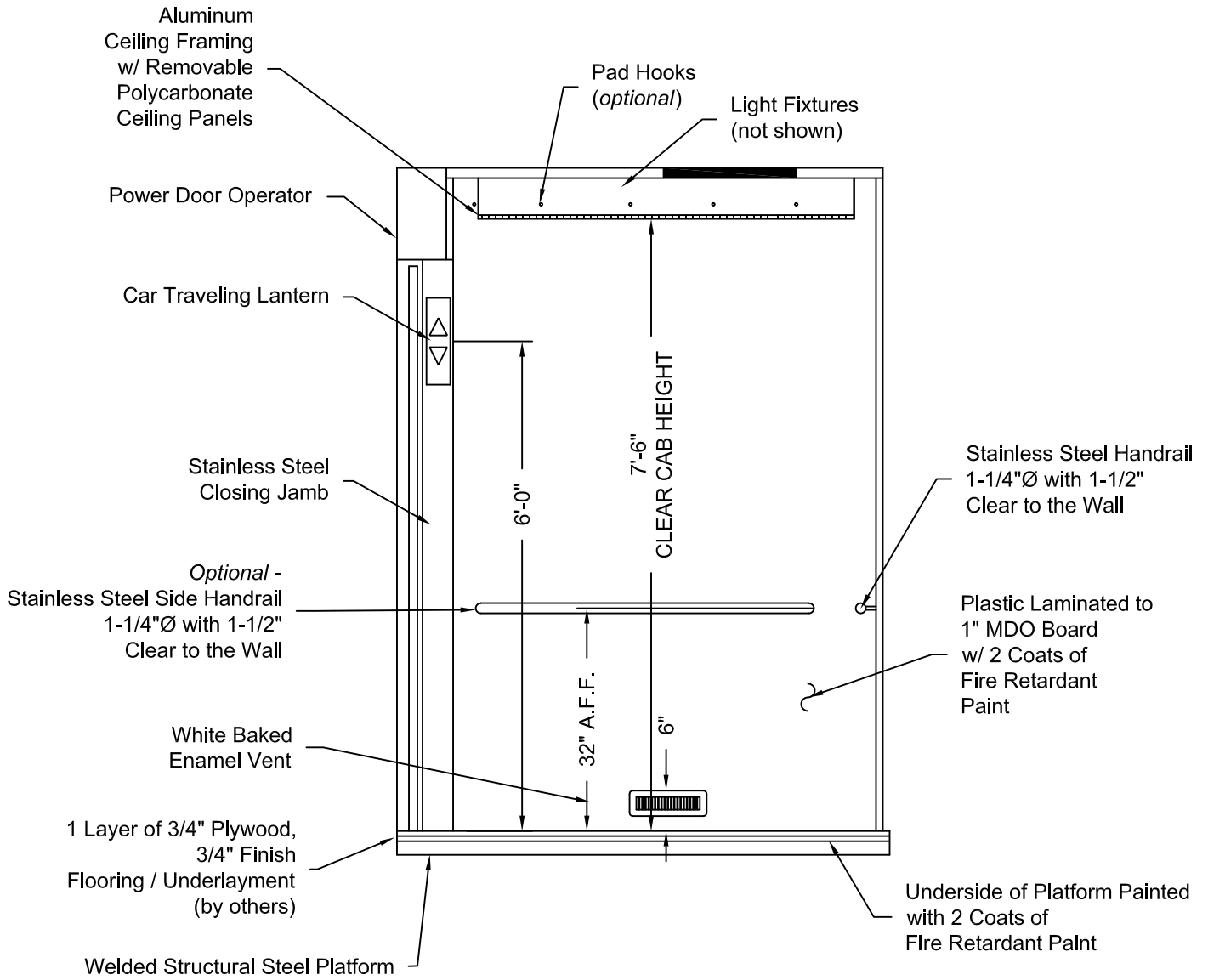
Issue Date:



PHOENIX MODULAR ELEVATOR INC.
 4800 PHOENIX DRIVE, MT. VERNON, ILLINOIS 62864
 PHONE: (618)-244-2314 FAX: (618)-244-1923
 E-mail: info@phoenixmodularelevator.com
 Web page: www.phoenixmodularelevator.com

ELEVATION NO. 1 - front exit elevator car

SIZE A	REV	REV. DATE	FILE NO.
SCALE: N.T.S.	DATE:	DWG NO. CAB-UFC-4	



ELEVATION NO. 2

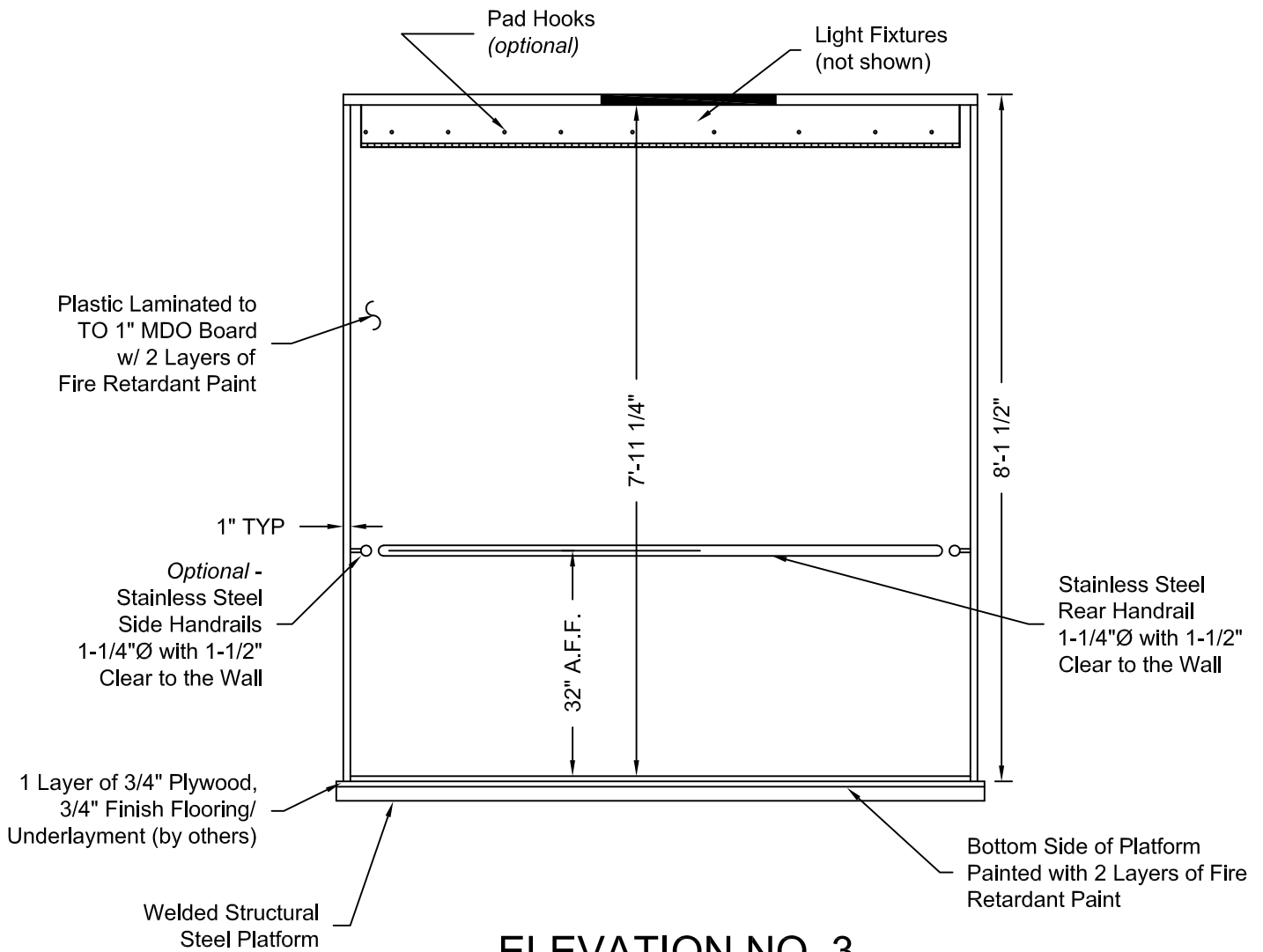
Issue Date:



PHOENIX MODULAR ELEVATOR INC.
 4800 PHOENIX DRIVE, MT. VERNON, ILLINOIS 62864
 PHONE: (618)-244-2314 FAX: (618)-244-1923
 E-mail: info@phoenixmodularelevator.com
 Web page: www.phoenixmodularelevator.com

ELEVATION NO. 2 - front exit elevator car

SIZE A	REV	REV. DATE	FILE NO.
SCALE: N.T.S.		DATE:	DWG NO. CAB-UFC-5



ELEVATION NO. 3

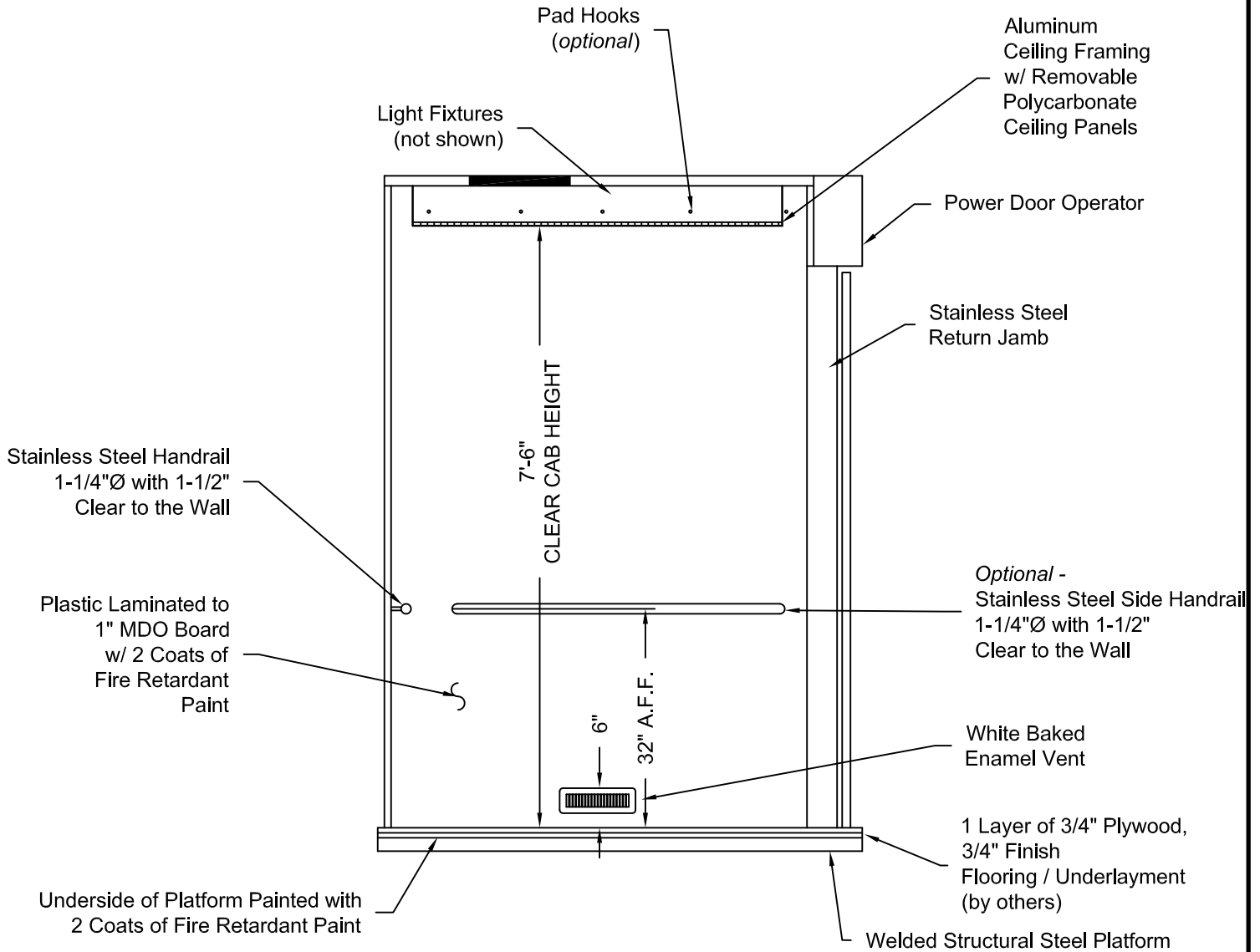
Issue Date:



PHOENIX MODULAR ELEVATOR INC.
 4800 PHOENIX DRIVE, MT. VERNON, ILLINOIS 62864
 PHONE: (618)-244-2314 FAX: (618)-244-1923
 E-mail: info@phoenixmodularelevator.com
 Web page: www.phoenixmodularelevator.com

ELEVATION NO.3 - front exit elevator car

SIZE A	REV	REV. DATE	FILE NO.
SCALE: N.T.S.	DATE:	DWG NO. CAB-UFC-6	



ELEVATION NO. 4

Issue Date:



PHOENIX MODULAR ELEVATOR INC.
 4800 PHOENIX DRIVE, MT. VERNON, ILLINOIS 62864
 PHONE: (618)-244-2314 FAX: (618)-244-1923
 E-mail: info@phoenixmodularelevator.com
 Web page: www.phoenixmodularelevator.com

ELEVATION NO. 4 - front exit elevator car

SIZE A	REV	REV. DATE	FILE NO.
SCALE: N.T.S.	DATE:	DWG NO. CAB-UFC-7	