

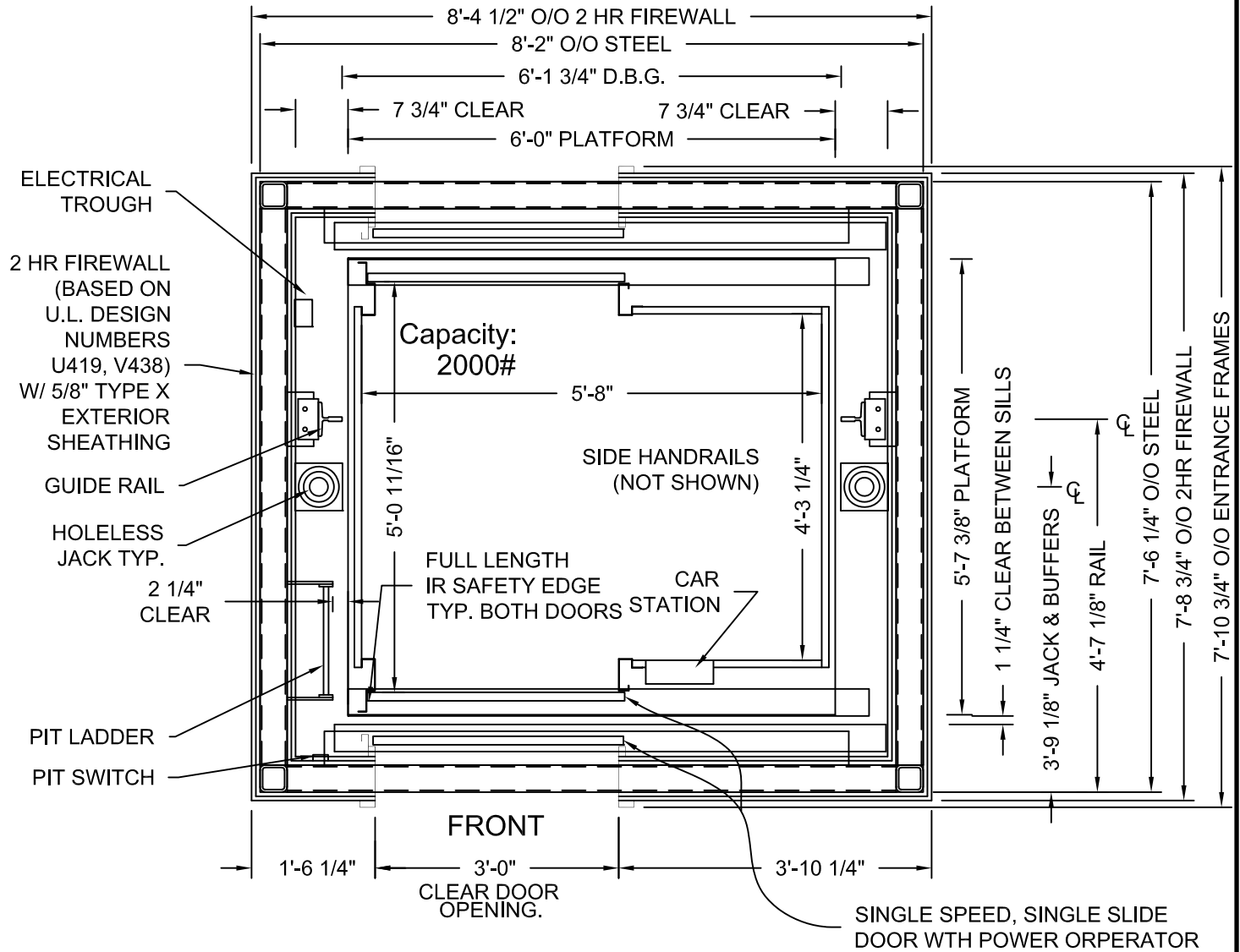
DRAWINGS ARE FOR REFERENCE USE ONLY AND ARE NOT INTENDED FOR PURPOSES OF CONSTRUCTION.

NET INSIDE CAB AREA - 24.20 SQ FT

D.B.G. = Distance between guide rails.

O/O = Out to out

W/ = with



HOLELESS JACK SYSTEM SHOWN, HOLED JACK SYSTEM AVAILABLE

MODEL: AC3000/AC4000 WFR

RIGHT HAND EXIT SHOWN - LEFT HAND EXIT OPPOSITE

ADA COMPLIANT

TWO HOUR SHAFT RATING

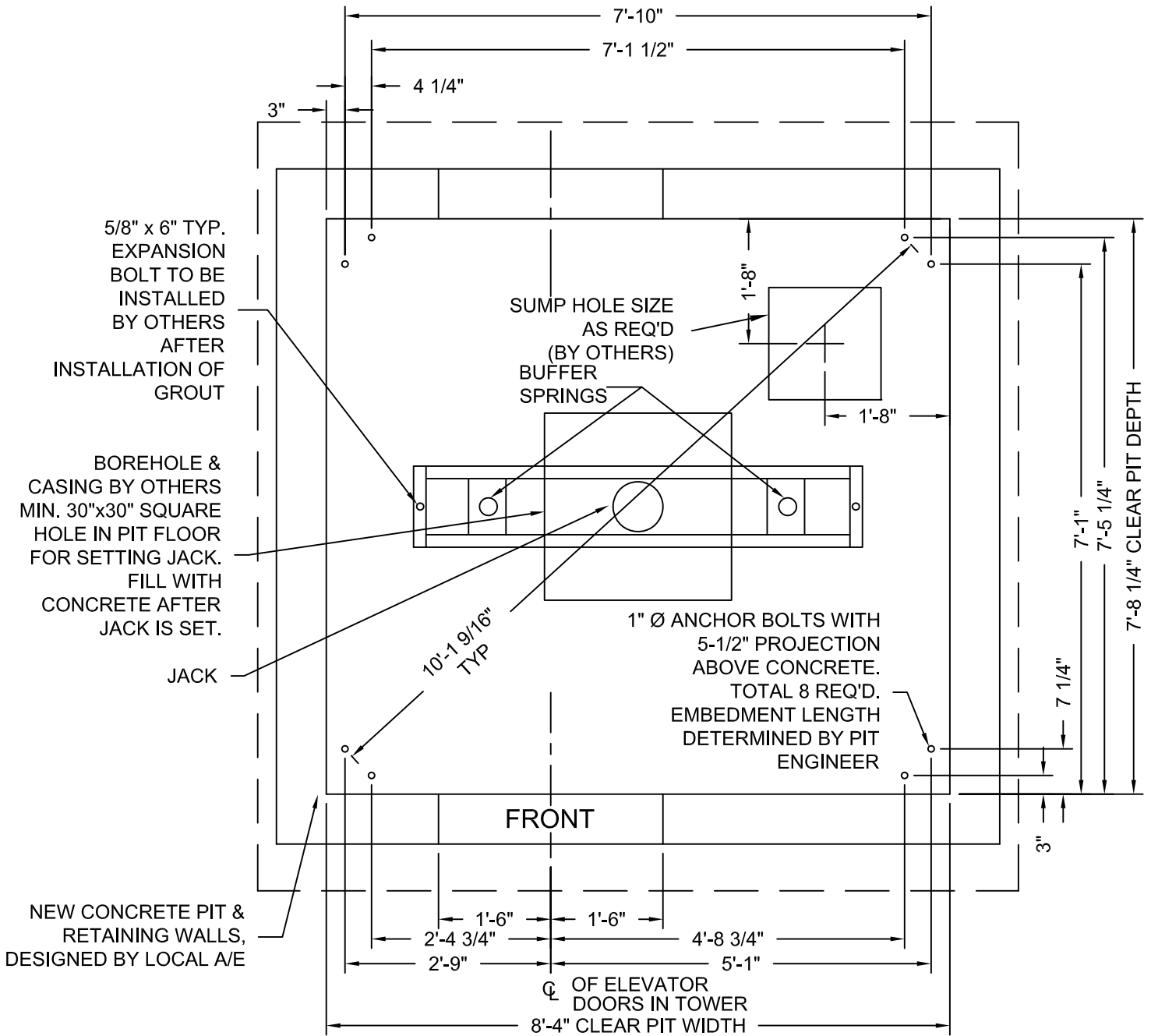
Issue Date:



**PHOENIX MODULAR ELEVATOR INC.**  
 4800 PHOENIX DRIVE, MT. VERNON, ILLINOIS 62864  
 PHONE: (618)-244-2314 FAX: (618)-244-1923  
 E-mail: info@phoenixmodularelevator.com  
 Web page: www.phoenixmodularelevator.com

HOISTWAY & CAR PLAN - 2HR FIRE RATED HOISTWAY				
SIZE A	REV	REV. DATE	FILE NO.	
SCALE: 1/2"=1'-0"	DATE:		DWG NO.	WFR-2HR

DRAWINGS ARE FOR  
 REFERENCE USE ONLY AND  
 ARE NOT INTENDED FOR  
 PURPOSES OF  
 CONSTRUCTION.



MODEL: AC3000/AC4000 WF / WFR  
 RIGHT HAND EXIT SHOWN - LEFT HAND EXIT OPPOSITE

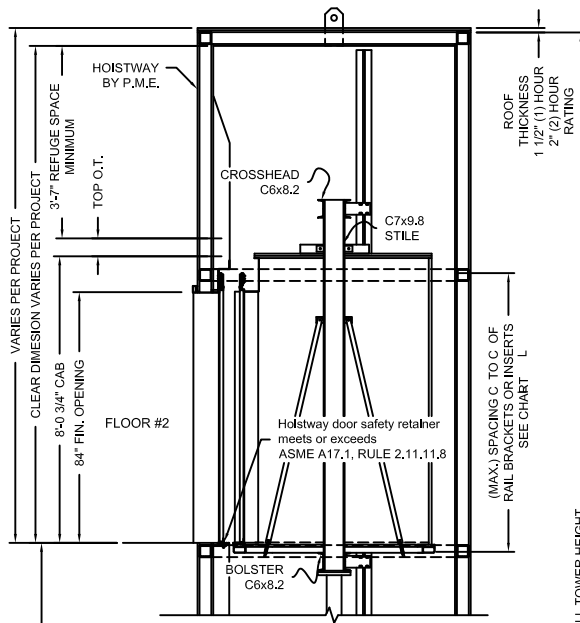
Issue Date:



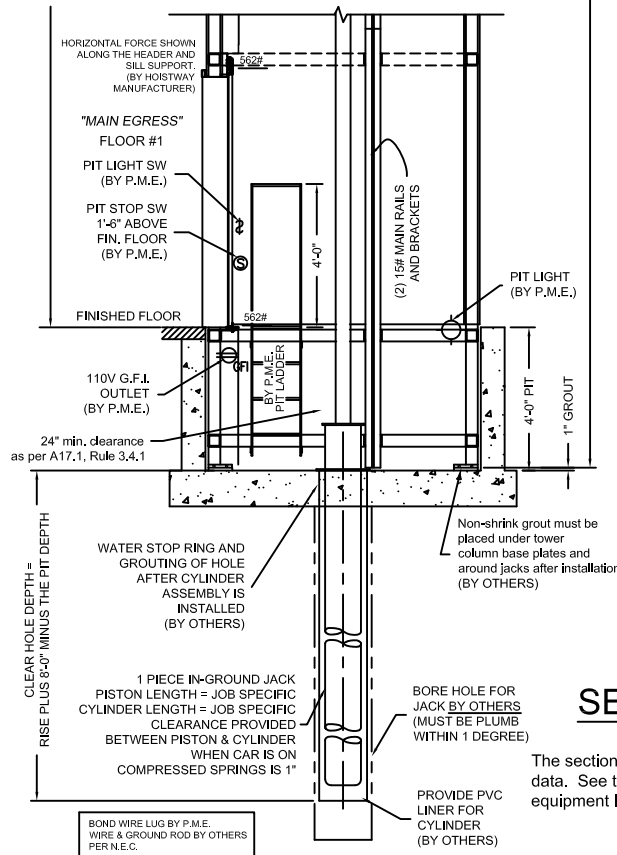
**PHOENIX MODULAR ELEVATOR INC.**  
 4800 PHOENIX DRIVE, MT. VERNON, ILLINOIS 62864  
 PHONE: (618)-244-2314 FAX: (618)-244-1923  
 E-mail: [Info@phoenixmodularelevator.com](mailto:Info@phoenixmodularelevator.com)  
 Web page: [www.phoenixmodularelevator.com](http://www.phoenixmodularelevator.com)

TYPICAL MODEL WF / WFR PIT PLAN - HOLED JACK

SIZE A	REV	REV. DATE	FILE NO.
SCALE: 1/2"=1'-0"	DATE:		DWG NO. WX-P1



FLOOR TO FLOOR DISTANCE	FLOOR MARKING	FLOOR NUMBER
VARIES	4	4
VARIES	3	3
VARIES	2	2
VARIES	1	1
VARIES	NET FLOOR TRAVEL	
VARIES	TOP OVERTRAVEL	
9-1/2" TYP	BOTTOM OVERTRAVEL	
VARIES	TOTAL TRAVEL	



## SECTION VIEW

NOT TO SCALE

The section view is for informational / dimensional data. See the hoistway plan view for actual equipment locations.

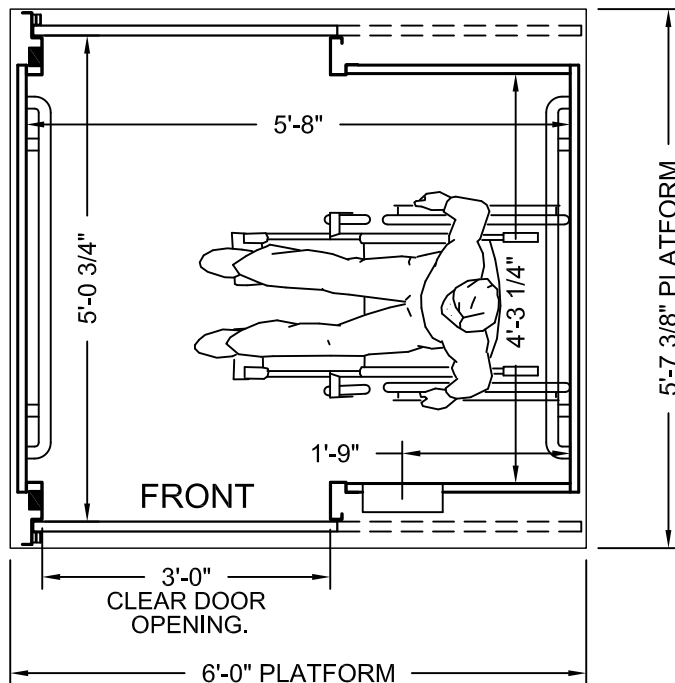
Issue Date:



**PHOENIX MODULAR ELEVATOR INC.**  
 4800 PHOENIX DRIVE, MT. VERNON, ILLINOIS 62864  
 PHONE: (618)-244-2314 FAX: (618)-244-1923  
 E-mail: info@phoenixmodularelevator.com  
 Web page: www.phoenixmodularelevator.com

## SECTION VIEW FOR HOLED JACK SYSTEM

SIZE A	REV	REV. DATE	FILE NO.
SCALE: N.T.S.	DATE:	DWG NO.	SV-BH



### PLAN VIEW

P.M.E.'s typical front/rear standard size elevator car.  
Capacity = 2000 lbs.

Car enclosure - laminate on wood  
All material for car enclosures meet the requirements of  
ASME A17.1 RULE 2.14.2.1

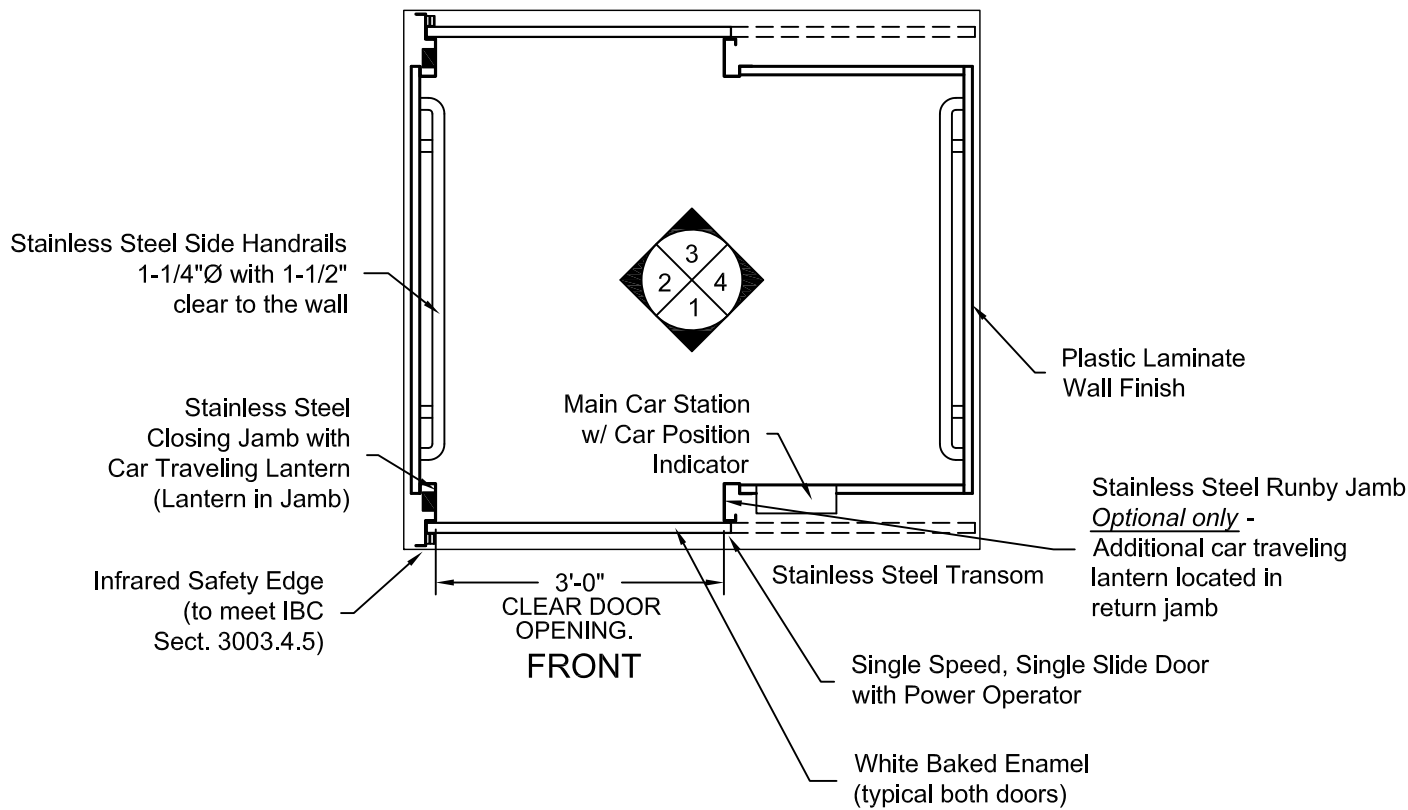
Issue Date:



**PHOENIX MODULAR ELEVATOR INC.**  
4800 PHOENIX DRIVE, MT. VERNON, ILLINOIS 62864  
PHONE: (618)-244-2314 FAX: (618)-244-1923  
E-mail: info@phoenixmodularelevator.com  
Web page: www.phoenixmodularelevator.com

### FRONT/REAR EXIT ELEVATOR CAB

SIZE A	REV	REV. DATE	FILE NO.
SCALE: N.T.S.	DATE:	DWG NO. CAB-WFR-1	



**PLAN VIEW**  
**RIGHT FRONT DOOR**  
**(MIRROR IMAGE IS AVAILABLE)**

Issue Date:

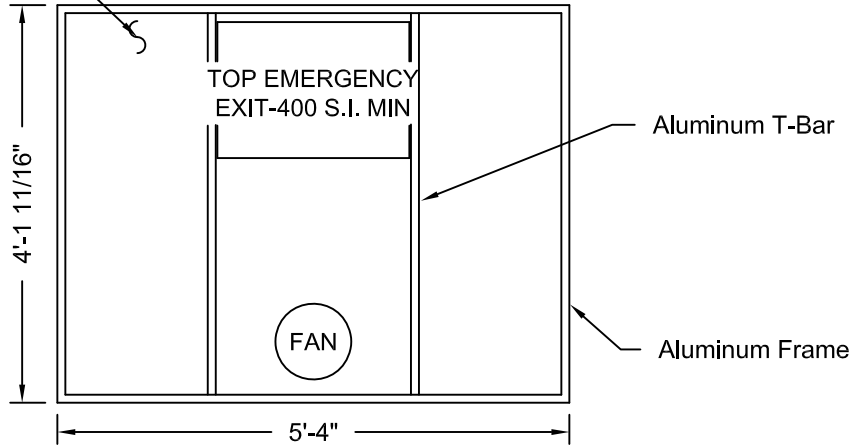


**PHOENIX MODULAR ELEVATOR INC.**  
 4800 PHOENIX DRIVE, MT. VERNON, ILLINOIS 62864  
 PHONE: (618)-244-2314 FAX: (618)-244-1923  
 E-mail: info@phoenixmodularelevator.com  
 Web page: www.phoenixmodularelevator.com

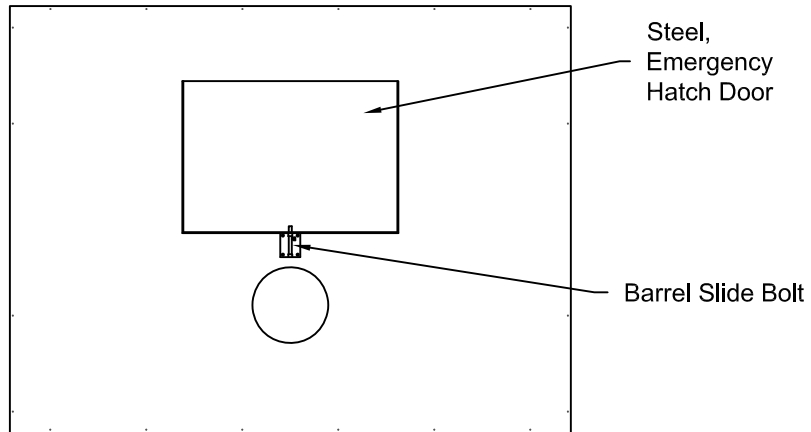
**FRONT/REAR EXIT ELEVATOR CAB - PLAN VIEW**

SIZE A	REV	REV. DATE	FILE NO.
SCALE: N.T.S.	DATE:	DWG NO. CAB-WFR-2	

Removable Polycarbonate Ceiling Panels



**REFLECTIVE CEILING PLAN**



**ROOF PLAN VIEW  
EMERGENCY EXIT DOOR**

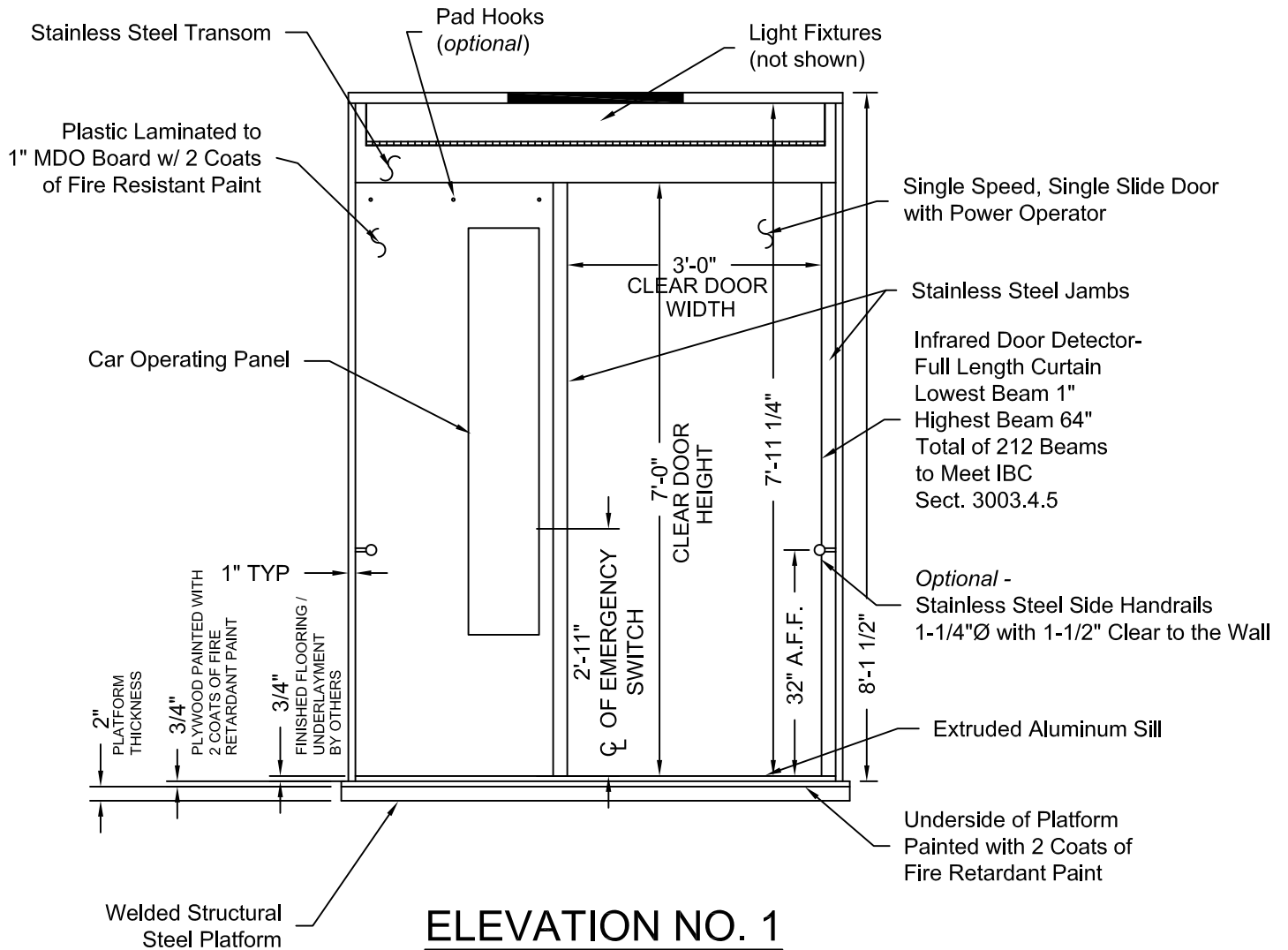
Issue Date:



**PHOENIX MODULAR ELEVATOR INC.**  
 4800 PHOENIX DRIVE, MT. VERNON, ILLINOIS 62864  
 PHONE: (618)-244-2314 FAX: (618)-244-1923  
 E-mail: info@phoenixmodularelevator.com  
 Web page: www.phoenixmodularelevator.com

**CEILING PLAN - front/rear exit elevator car**

SIZE A	REV	REV. DATE	FILE NO.
SCALE: N.T.S.	DATE:	DWG NO. CAB-WFR-3	



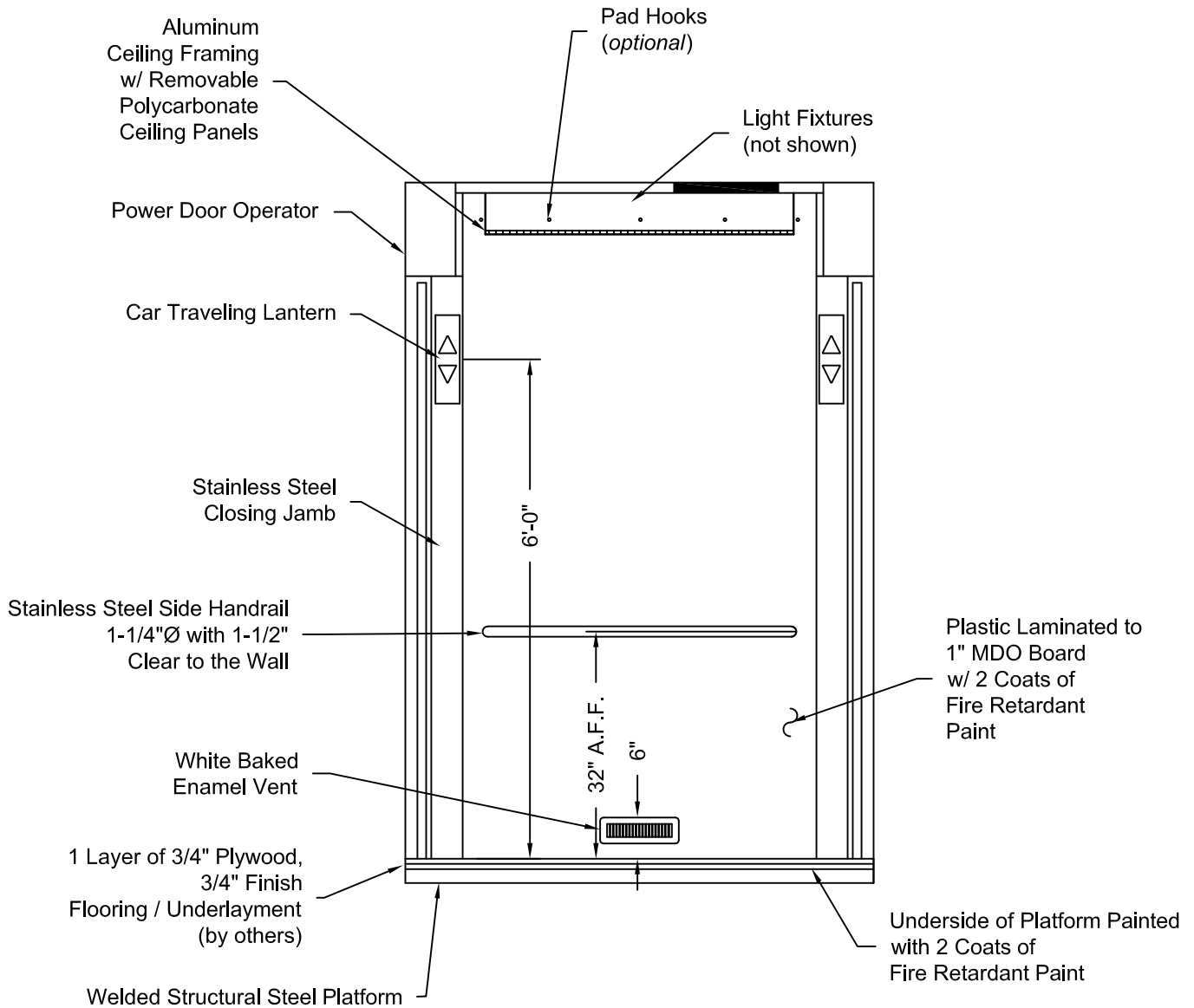
Issue Date:



**PHOENIX MODULAR ELEVATOR INC.**  
 4800 PHOENIX DRIVE, MT. VERNON, ILLINOIS 62864  
 PHONE: (618)-244-2314 FAX: (618)-244-1923  
 E-mail: info@phoenixmodularelevator.com  
 Web page: www.phoenixmodularelevator.com

**ELEVATION NO. 1 - front/rear exit elevator car**

SIZE A	REV	REV. DATE	FILE NO.
SCALE: N.T.S.	DATE:		DWG NO. CAB-WFR-4



## ELEVATION NO. 2

Issue Date:

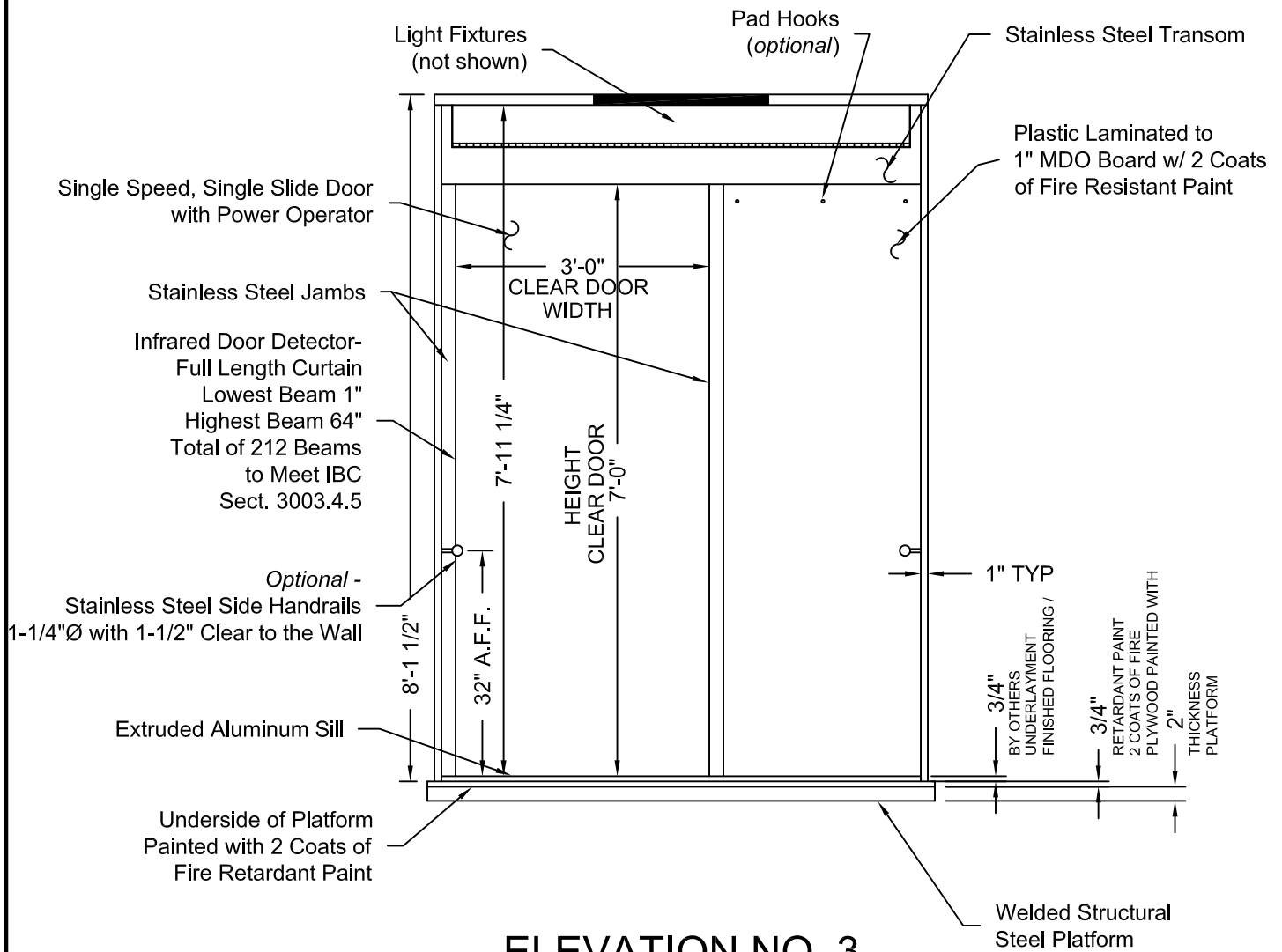


**PHOENIX MODULAR ELEVATOR INC.**  
 4800 PHOENIX DRIVE, MT. VERNON, ILLINOIS 62864  
 PHONE: (618)-244-2314 FAX: (618)-244-1923  
 E-mail: info@phoenixmodularelevator.com  
 Web page: www.phoenixmodularelevator.com

### ELEVATION NO. 2 - front/rear exit elevator car

SIZE A	REV	REV. DATE	FILE NO.
SCALE: N.T.S.		DATE:	DWG NO. CAB-WFR-5





**ELEVATION NO. 3**

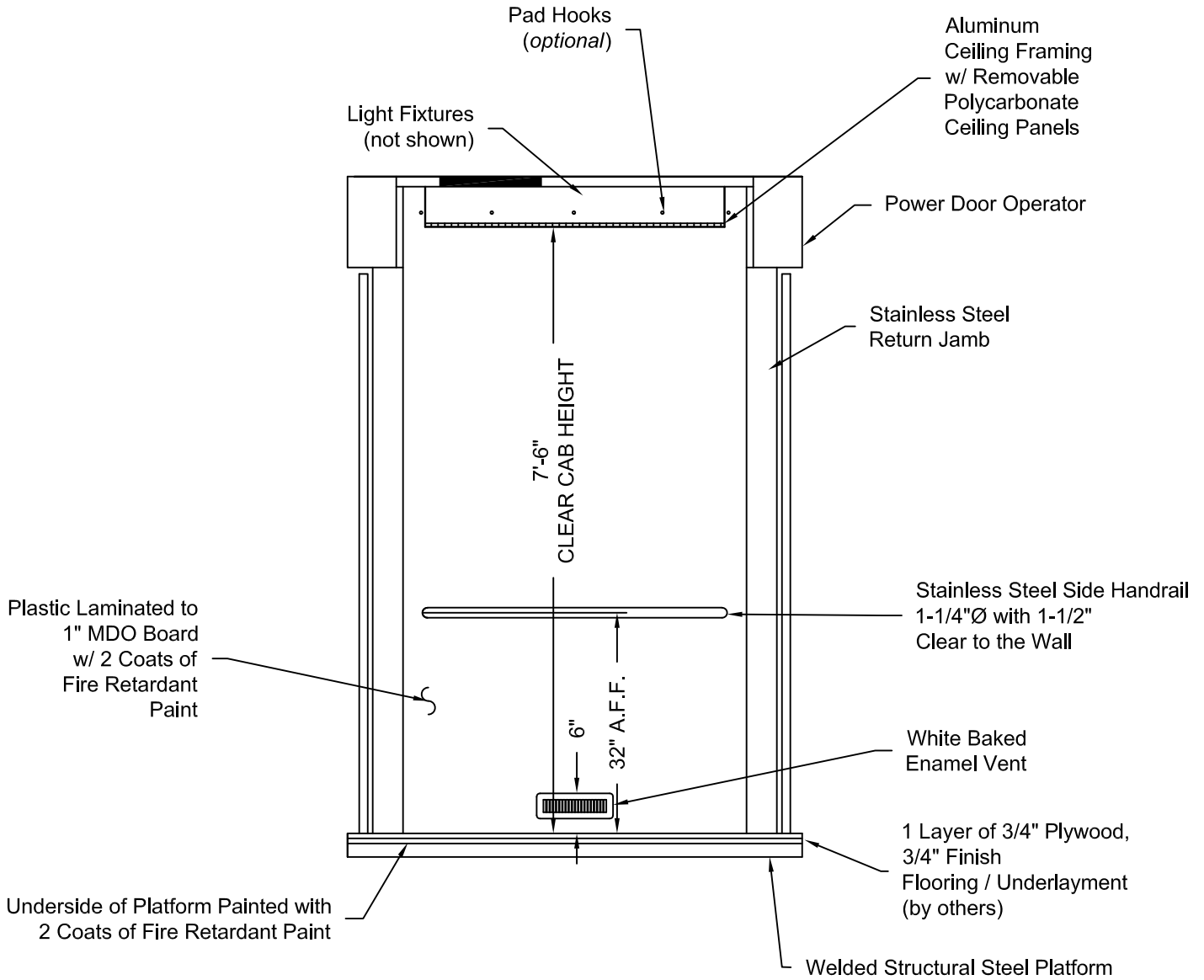
Issue Date:



**PHOENIX MODULAR ELEVATOR INC.**  
 4800 PHOENIX DRIVE, MT. VERNON, ILLINOIS 62864  
 PHONE: (618)-244-2314 FAX: (618)-244-1923  
 E-mail: info@phoenixmodularelevator.com  
 Web page: www.phoenixmodularelevator.com

**ELEVATION NO. 3 - front/rear exit elevator car**

SIZE A	REV	REV. DATE	FILE NO.
SCALE: N.T.S.	DATE:	DWG NO. CAB-WFR-6	



**ELEVATION NO. 4**

Issue Date:



**PHOENIX MODULAR ELEVATOR INC.**  
 4800 PHOENIX DRIVE, MT. VERNON, ILLINOIS 62864  
 PHONE: (618)-244-2314 FAX: (618)-244-1923  
 E-mail: info@phoenixmodularelevator.com  
 Web page: www.phoenixmodularelevator.com

**ELEVATION NO. 4 - front/rear exit elevator car**

SIZE A	REV	REV. DATE	FILE NO.
SCALE: N.T.S.	DATE:		DWG NO. CAB-WFR-7