

NET INSIDE CAB AREA - 37.86 SQ FT

D.B.G. = Distance between guide rails.

O/O = Out to out

W/ = with

DRAWINGS ARE FOR REFERENCE USE ONLY AND ARE NOT INTENDED FOR PURPOSES OF CONSTRUCTION.

1HR FIREWALL (BASED ON U.L. DESIGN NUMBERS U419, U465, V438) W/ 5/8" TYPE X EXTERIOR SHEATHING

RAIL

JACK TYP.

PIT SWITCH

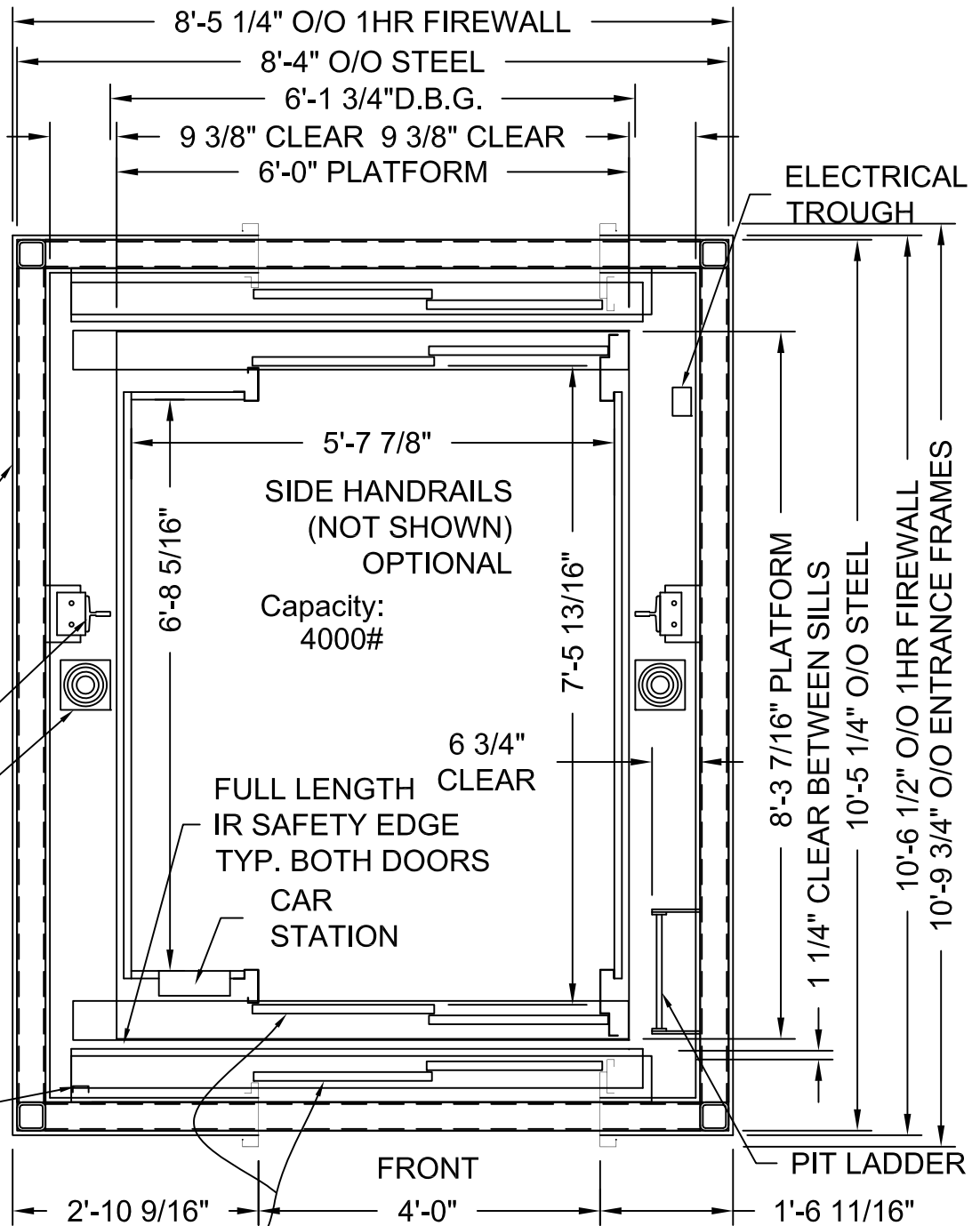
DOUBLE SPEED DOOR WITH POWER OPERATOR

MODEL: AC3000/AC4000 HOSP
LEFT HAND EXIT SHOWN - RIGHT HAND EXIT OPPOSITE
ONE HOUR SHAFT RATING

STRETCHER COMPLIANT
ADA COMPLIANT

MEETS IBC 2006/2009 SECTION 3002.4
Designed for 24"x84" ambulance
stretcher / gurney

Issue Date:



DOUBLE SPEED DOOR WITH POWER OPERATOR

FRONT
CLEAR DOOR OPENING.

HOLELESS JACK SYSTEM SHOWN,
HOLED JACK SYSTEM AVAILABLE

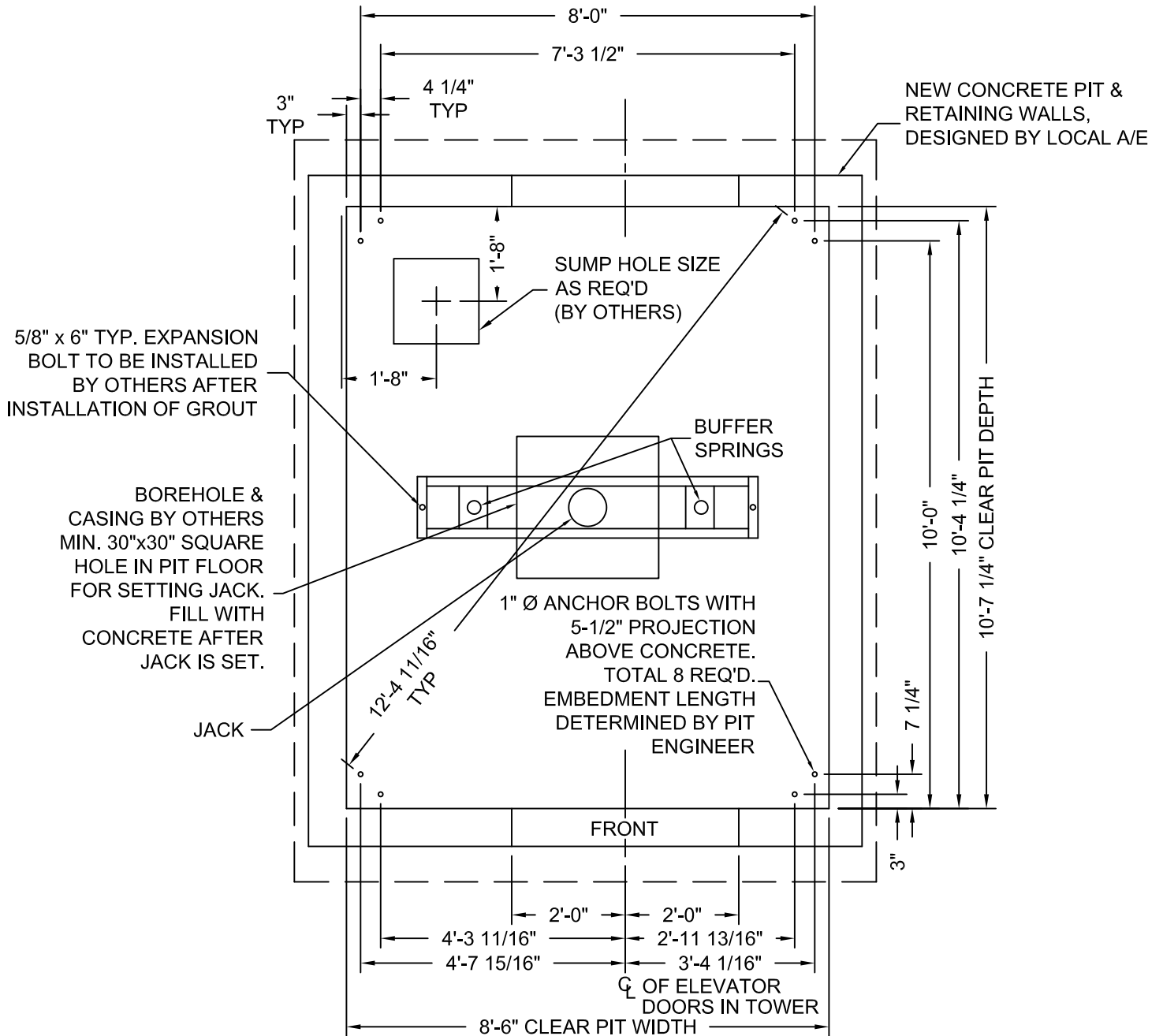


PHOENIX MODULAR ELEVATOR INC.
4800 PHOENIX DRIVE, MT. VERNON, ILLINOIS 62864
PHONE: (618)-244-2314 FAX: (618)-244-1923
E-mail: Info@phoenixmodularelevator.com
Web page: www.phoenixmodularelevator.com

HOISTWAY & CAR PLAN - 1HR FIRE RATED HOISTWAY

SIZE A	REV	REV. DATE	FILE NO.
SCALE: 1/2"=1'-0"	DATE:	DWG NO.	HOSP-1HR

DRAWINGS ARE FOR
REFERENCE USE ONLY
AND ARE NOT INTENDED
FOR PURPOSES OF
CONSTRUCTION.



MODEL: AC3000/AC4000 HOSP / HOSPR
LEFT HAND EXIT SHOWN - RIGHT HAND EXIT OPPOSITE

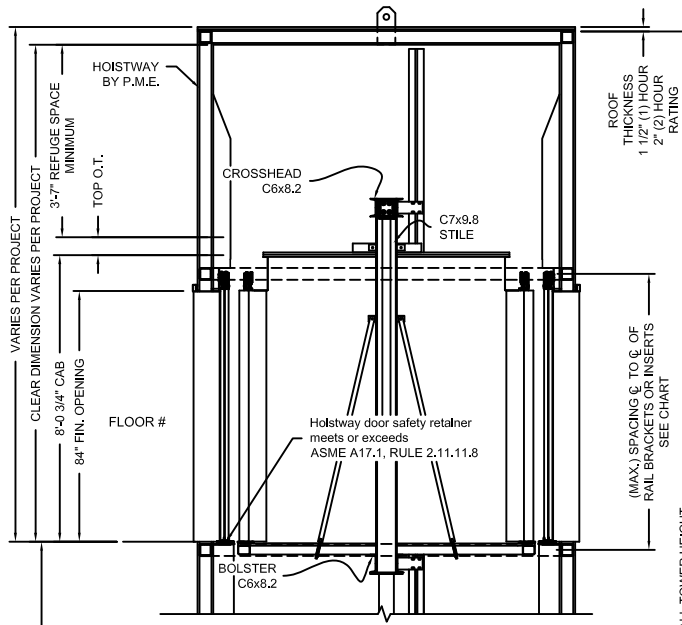
Issue Date:



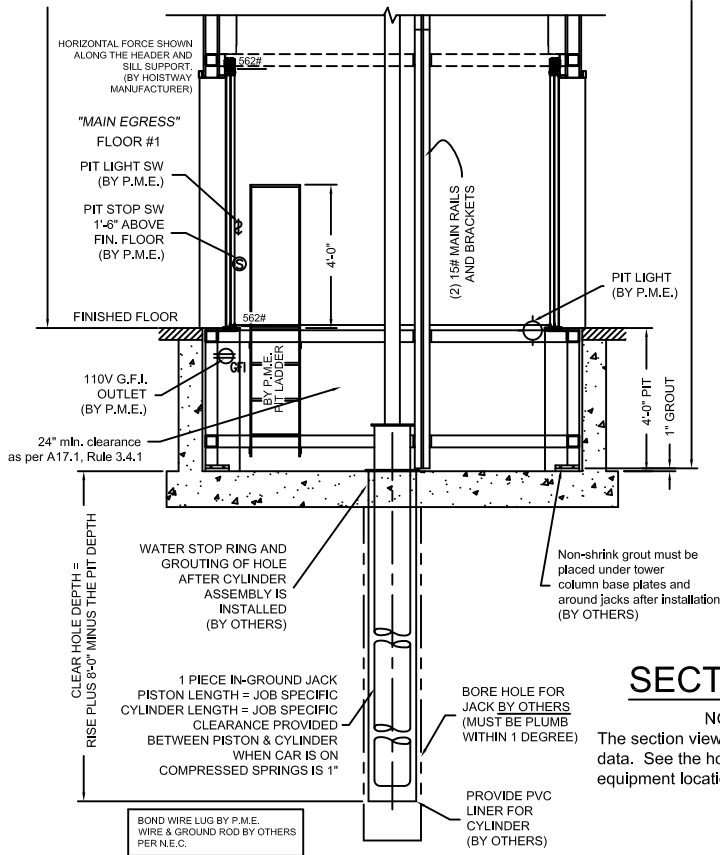
PHOENIX MODULAR ELEVATOR INC.
4800 PHOENIX DRIVE, MT. VERNON, ILLINOIS 62864
PHONE: (618)-244-2314 FAX: (618)-244-1923
E-mail: info@phoenixmodularelevator.com
Web page: www.phoenixmodularelevator.com

MODEL HOSP / HOSPR PIT PLAN - HOLED JACK

SIZE A	REV	REV. DATE	FILE NO.
SCALE: 3/8"=1'-0"	DATE:	DWG NO. HOSP-P1	



FLOOR TO FLOOR DISTANCE	FLOOR MARKING	FLOOR NUMBER
VARIABLES	4	4
VARIABLES	3	3
VARIABLES	2	2
	☆ 1	1
VARIABLES	NET FLOOR TRAVEL	
VARIABLES	TOP OVERTRAVEL	
9-1/2" TYP	BOTTOM OVERTRAVEL	
VARIABLES	TOTAL TRAVEL	



SECTION VIEW

NOT TO SCALE

The section view is for informational / dimensional data. See the hoistway plan view for actual equipment locations.

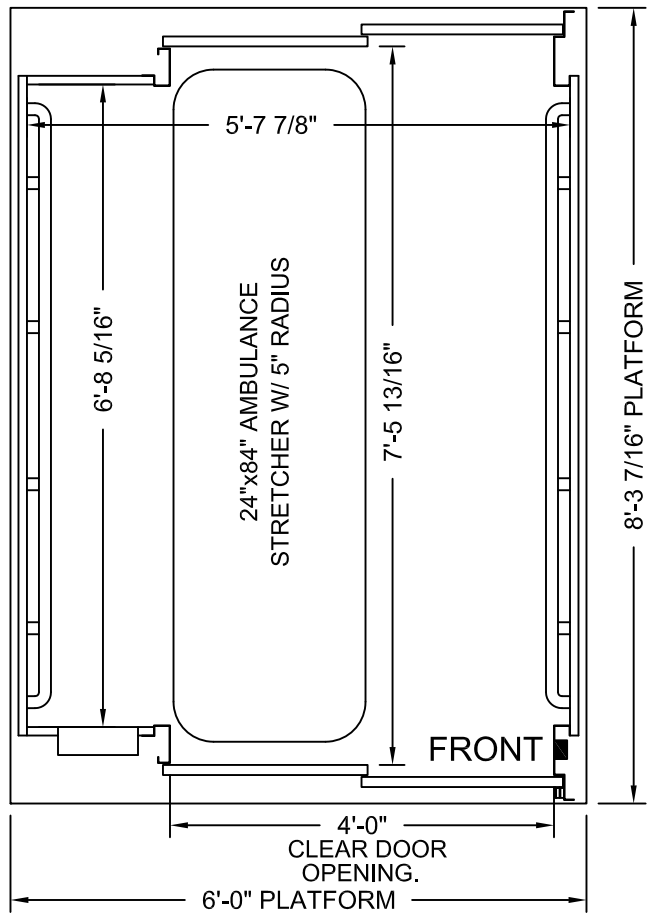
Issue Date:



PHOENIX MODULAR ELEVATOR INC.
 4800 PHOENIX DRIVE, MT. VERNON, ILLINOIS 62864
 PHONE: (618)-244-2314 FAX: (618)-244-1923
 E-mail: Info@phoenixmodularelevator.com
 Web page: www.phoenixmodularelevator.com

SECTION VIEW FOR HOLED JACK SYSTEM

SIZE A	REV	REV. DATE	FILE NO.
SCALE: N.T.S.	DATE:		DWG NO. SV-BH



PLAN VIEW

Elevator car designed to accommodate ambulance stretcher as per IBC Section 3002.4
 Capacity = 4000 lbs.

Car enclosure - laminate on wood
All material for car enclosures meet the requirements of ASME A17.1 RULE 2.14.2.1

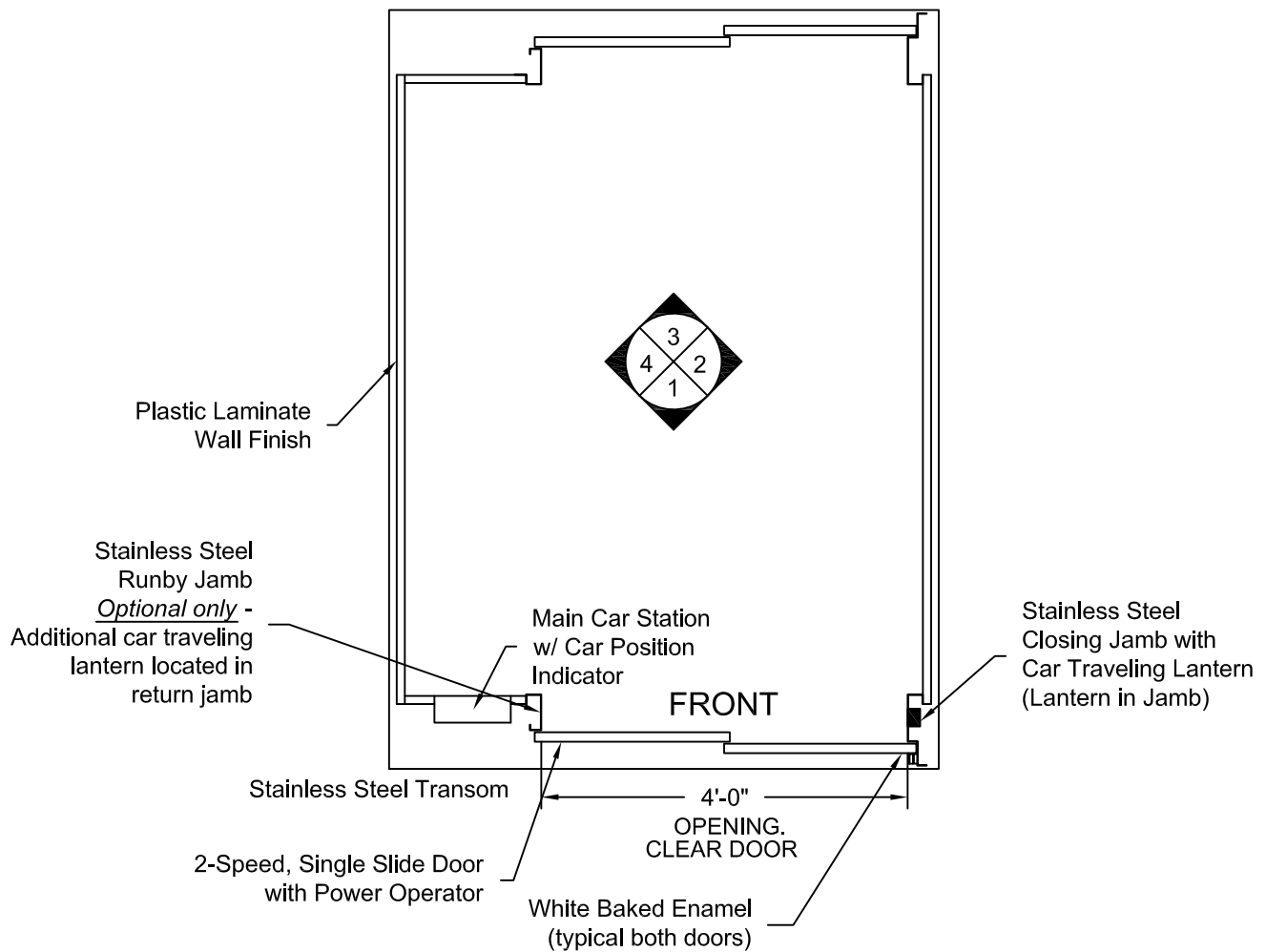
Issue Date:



PHOENIX MODULAR ELEVATOR INC.
 4800 PHOENIX DRIVE, MT. VERNON, ILLINOIS 62864
 PHONE: (618)-244-2314 FAX: (618)-244-1923
 E-mail: info@phoenixmodularelevator.com
 Web page: www.phoenixmodularelevator.com

FRONT/REAR EXIT ELEVATOR CAB

SIZE A	REV	REV. DATE	FILE NO.
SCALE: N.T.S.	DATE:	DWG NO. CAB-HOSP-1	



PLAN VIEW
RIGHT FRONT DOOR
(MIRROR IMAGE IS AVAILABLE)

Issue Date:

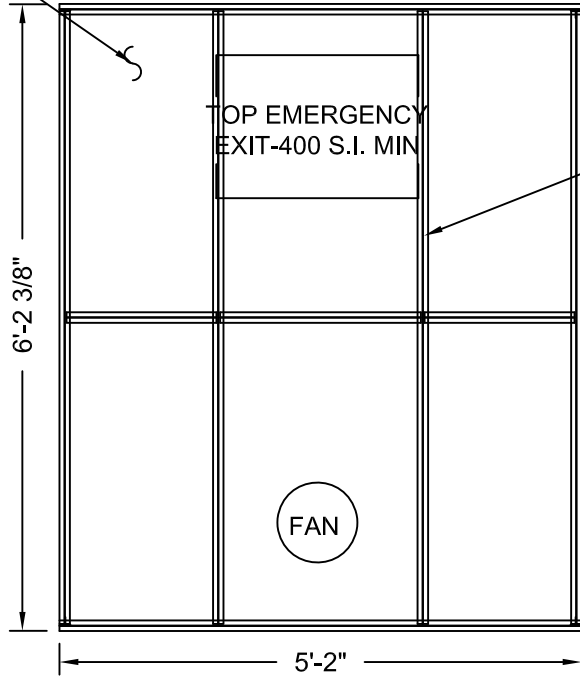


PHOENIX MODULAR ELEVATOR INC.
 4800 PHOENIX DRIVE, MT. VERNON, ILLINOIS 62864
 PHONE: (618)-244-2314 FAX: (618)-244-1923
 E-mail: info@phoenixmodularelevator.com
 Web page: www.phoenixmodularelevator.com

FRONT/REAR EXIT ELEVATOR CAB - PLAN VIEW

SIZE A	REV	REV. DATE	FILE NO.
SCALE: N.T.S.	DATE:	DWG NO. CAB-HOSP-2	

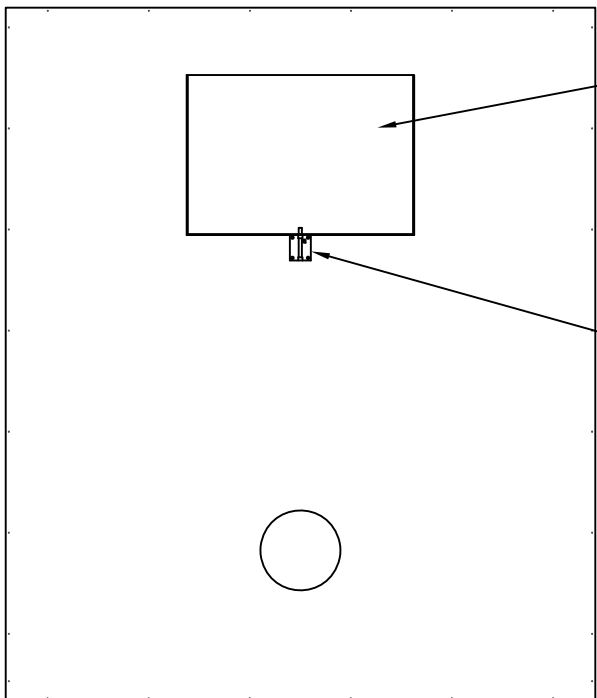
Removable
Polycarbonate
Ceiling Panels



Aluminum T-Bar

Aluminum Frame

REFLECTIVE CEILING PLAN



Steel,
Emergency
Hatch Door

Barrel Slide Bolt

**ROOF PLAN VIEW
EMERGENCY EXIT DOOR**

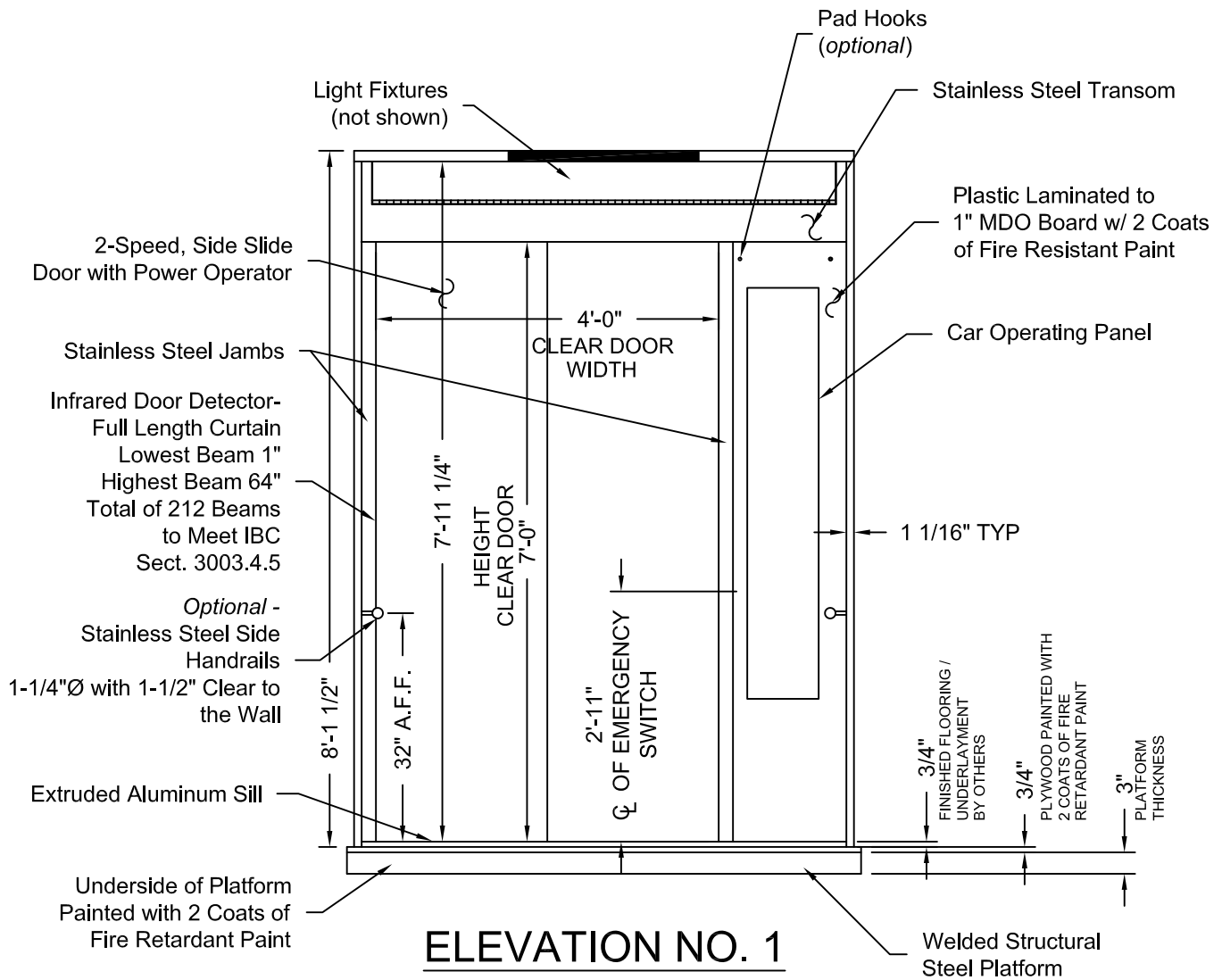
Issue Date:



PHOENIX MODULAR ELEVATOR INC.
4800 PHOENIX DRIVE, MT. VERNON, ILLINOIS 62864
PHONE: (618)-244-2314 FAX: (618)-244-1923
E-mail: info@phoenixmodulelevator.com
Web page: www.phoenixmodulelevator.com

CEILING PLAN - front/rear exit elevator car

SIZE A	REV	REV. DATE	FILE NO.
SCALE: N.T.S.	DATE:	DWG NO. CAB-HOSP-3	



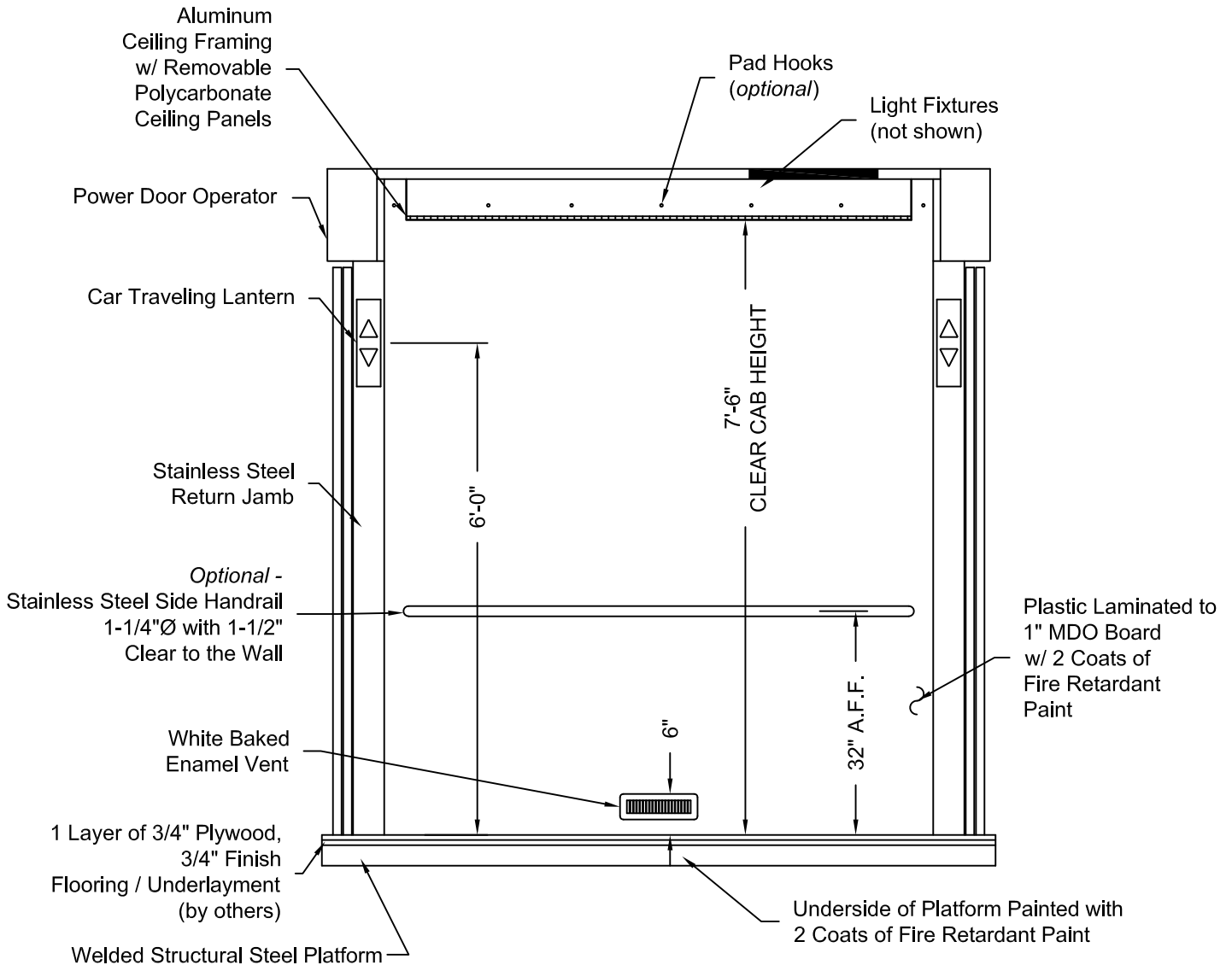
Issue Date:



PHOENIX MODULAR ELEVATOR INC.
 4800 PHOENIX DRIVE, MT. VERNON, ILLINOIS 62864
 PHONE: (618)-244-2314 FAX: (618)-244-1923
 E-mail: Info@phoenixmodularelevator.com
 Web page: www.phoenixmodularelevator.com

ELEVATION NO. 1 - front/rear exit elevator car

SIZE A	REV	REV. DATE	FILE NO.
SCALE: N.T.S.	DATE:		DWG NO. CAB-HOSPR-4



ELEVATION NO. 2

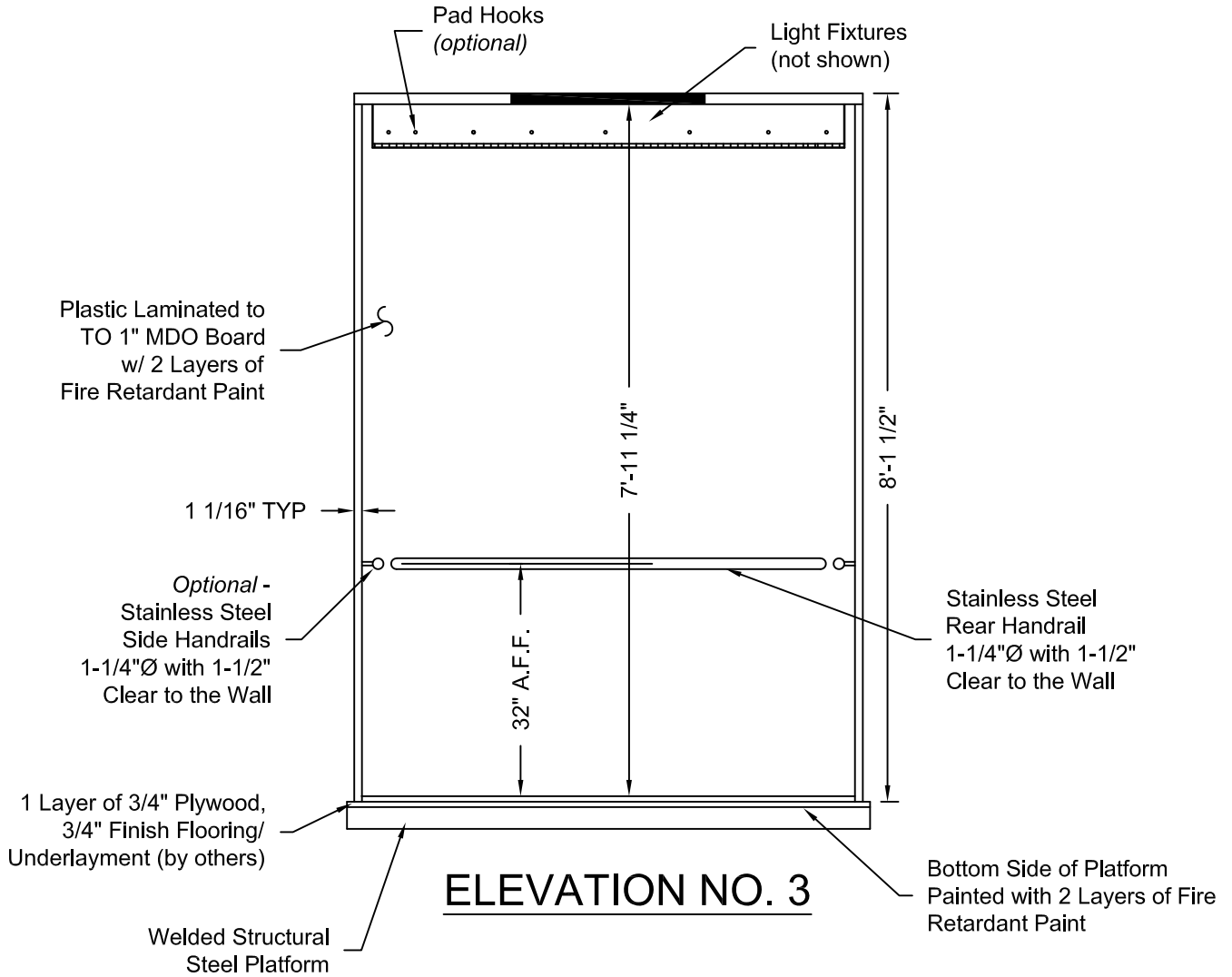
Issue Date:



PHOENIX MODULAR ELEVATOR INC.
 4800 PHOENIX DRIVE, MT. VERNON, ILLINOIS 62864
 PHONE: (618)-244-2314 FAX: (618)-244-1923
 E-mail: Info@phoenixmodularelevator.com
 Web page: www.phoenixmodularelevator.com

ELEVATION NO. 2 - front/rear exit elevator car

SIZE A	REV	REV. DATE	FILE NO.
SCALE: N.T.S.	DATE:		DWG NO. CAB-HOSPR-5



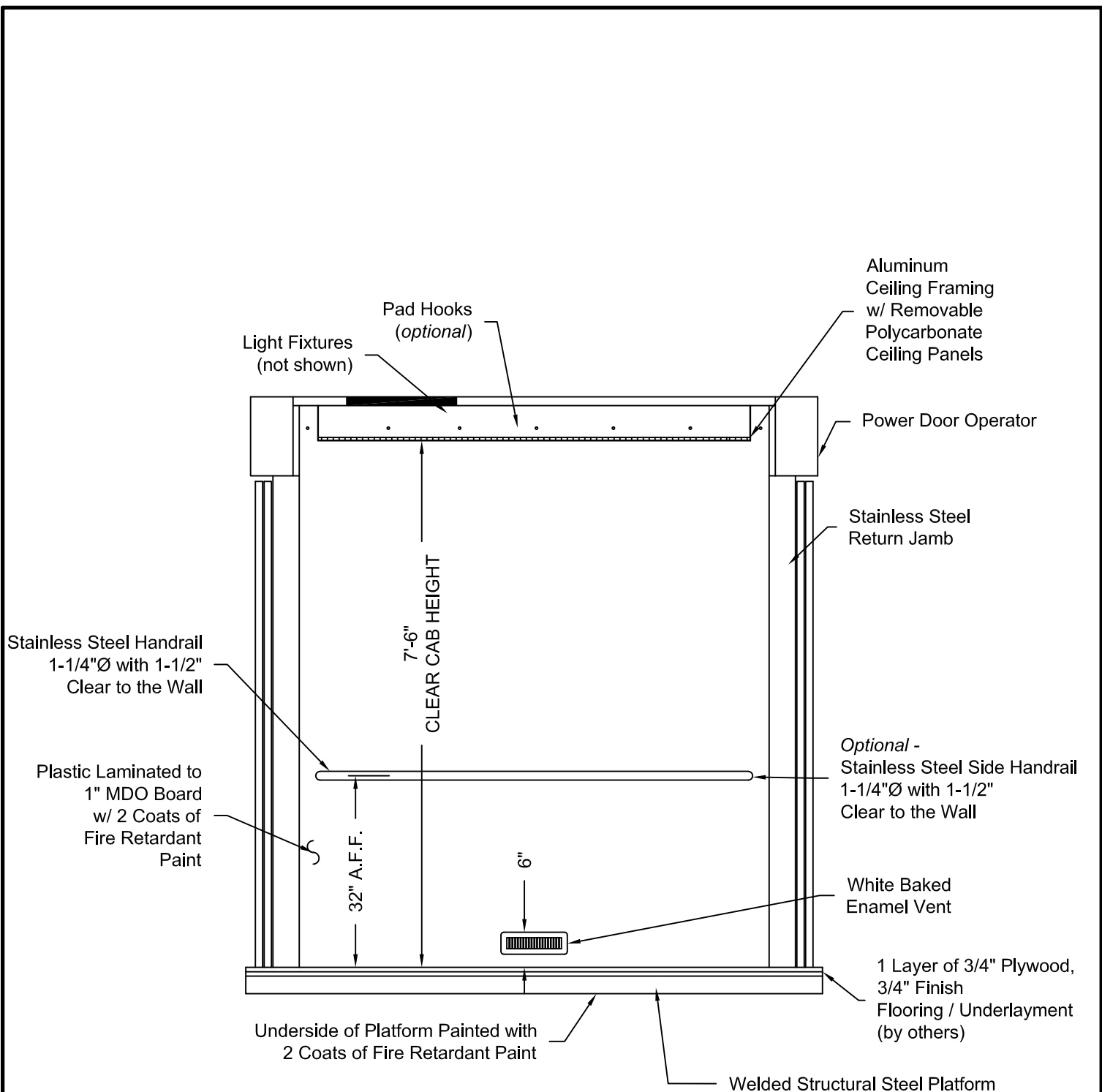
Issue Date:



PHOENIX MODULAR ELEVATOR INC.
 4800 PHOENIX DRIVE, MT. VERNON, ILLINOIS 62864
 PHONE: (618)-244-2314 FAX: (618)-244-1923
 E-mail: Info@phoenixmodularelevator.com
 Web page: www.phoenixmodularelevator.com

ELEVATION NO.3 - front/rear exit elevator car

SIZE A	REV	REV. DATE	FILE NO.
SCALE: N.T.S.	DATE:	DWG NO. CAB-HOSPR-6	



ELEVATION NO. 4

Issue Date:



PHOENIX MODULAR ELEVATOR INC.
 4800 PHOENIX DRIVE, MT. VERNON, ILLINOIS 62864
 PHONE: (618)-244-2314 FAX: (618)-244-1923
 E-mail: Info@phoenixmodularelevator.com
 Web page: www.phoenixmodularelevator.com

ELEVATION NO. 4 - front exit elevator car

SIZE A	REV	REV. DATE	FILE NO.
SCALE: N.T.S.	DATE:		DWG NO. CAB-HOSPR-7