

NET INSIDE CAB AREA - 37.86 SQ FT

D.B.G. = Distance between guide rails.

O/O = Out to out

W/ = with

DRAWINGS ARE FOR REFERENCE USE ONLY AND ARE NOT INTENDED FOR PURPOSES OF CONSTRUCTION.

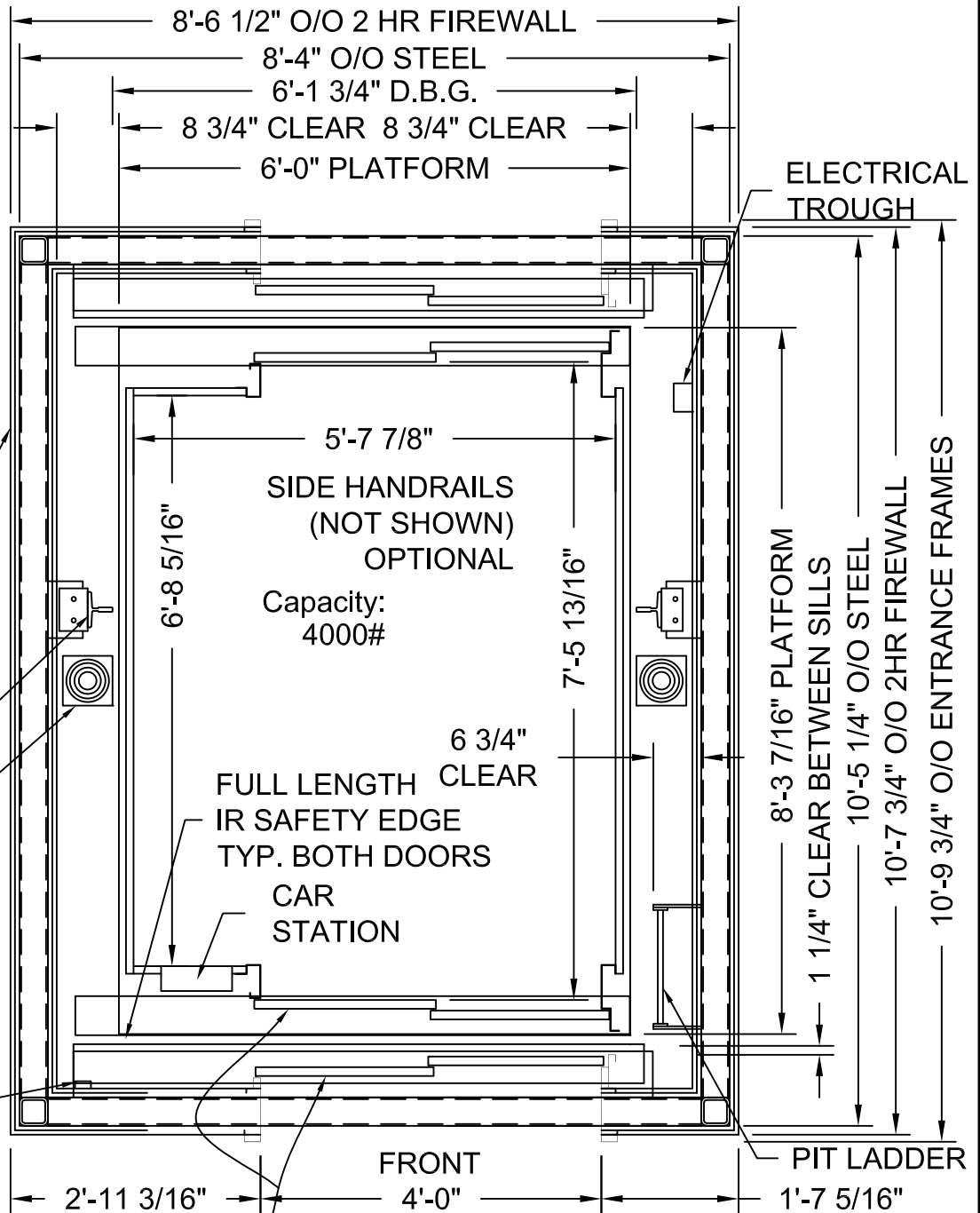
2 HR FIREWALL (BASED ON U.L. DESIGN NUMBERS U419, U465, V438) W/ 5/8" TYPE X EXTERIOR SHEATHING

RAIL

JACK TYP.

PIT SWITCH

DOUBLE SPEED DOOR WITH POWER OPERATOR



Capacity: 4000#

FULL LENGTH CLEAR IR SAFETY EDGE TYP. BOTH DOORS CAR STATION

FRONT

CLEAR DOOR OPENING.

HOLELESS JACK SYSTEM SHOWN, HOLED JACK SYSTEM AVAILABLE

MODEL: AC3000/AC4000 HOSP

LEFT HAND EXIT SHOWN - RIGHT HAND EXIT OPPOSITE

TWO HOUR SHAFT RATING

STRETCHER COMPLIANT ADA COMPLIANT

MEETS IBC 2006/2009 SECTION 3002.4 Designed for 24"x84" ambulance stretcher / gurney

Issue Date:

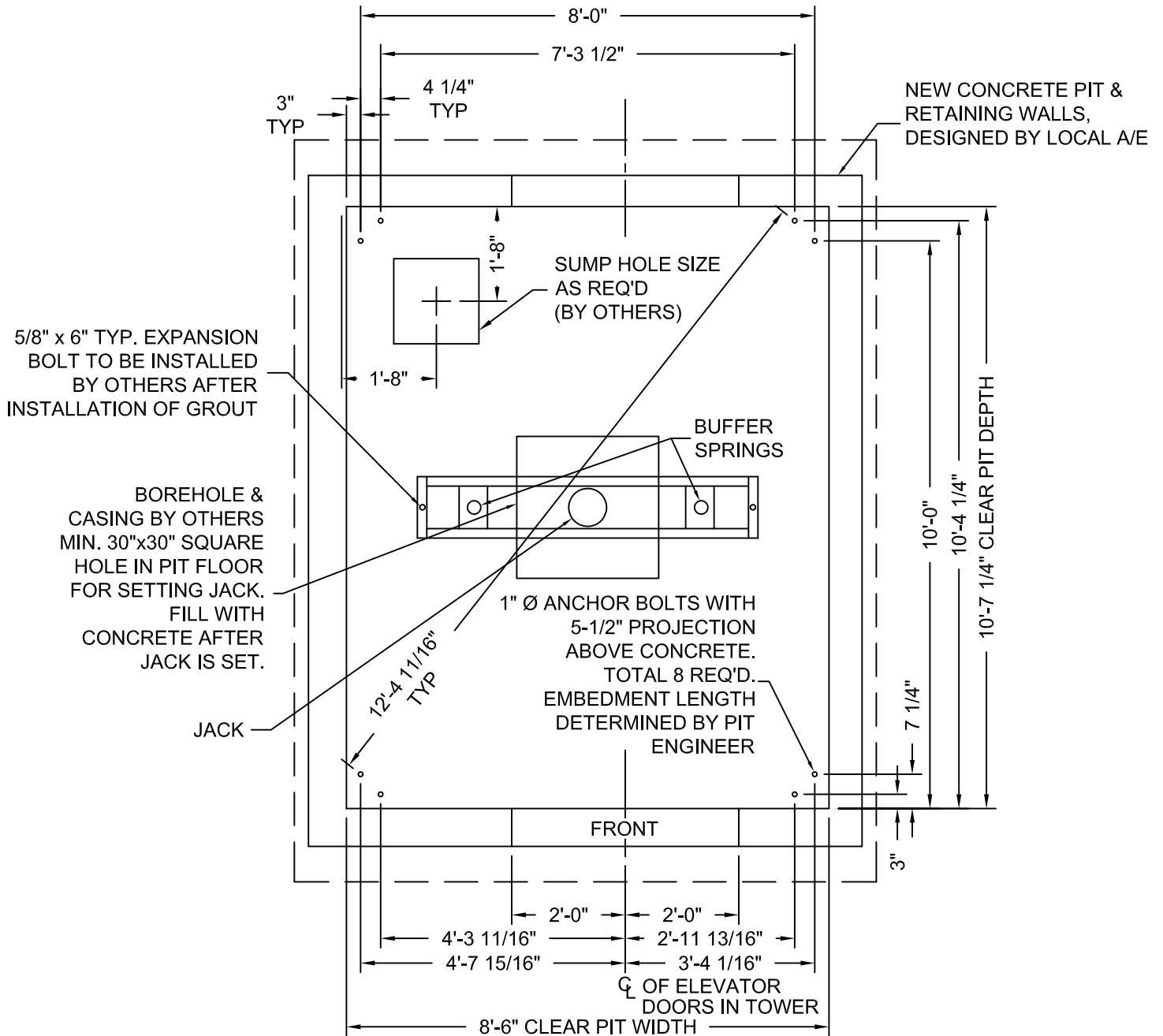


PHOENIX MODULAR ELEVATOR INC. 4800 PHOENIX DRIVE, MT. VERNON, ILLINOIS 62864 PHONE: (618)-244-2314 FAX: (618)-244-1923 E-mail: Info@phoenixmodularelevator.com Web page: www.phoenixmodularelevator.com

HOISTWAY & CAR PLAN - 2HR FIRE RATED HOISTWAY

SIZE A	REV	REV. DATE	FILE NO.
SCALE: 1/2"=1'-0"	DATE:	DWG NO.	HOSP-2HR

DRAWINGS ARE FOR  
REFERENCE USE ONLY  
AND ARE NOT INTENDED  
FOR PURPOSES OF  
CONSTRUCTION.



MODEL: AC3000/AC4000 HOSP / HOSPR  
LEFT HAND EXIT SHOWN - RIGHT HAND EXIT OPPOSITE

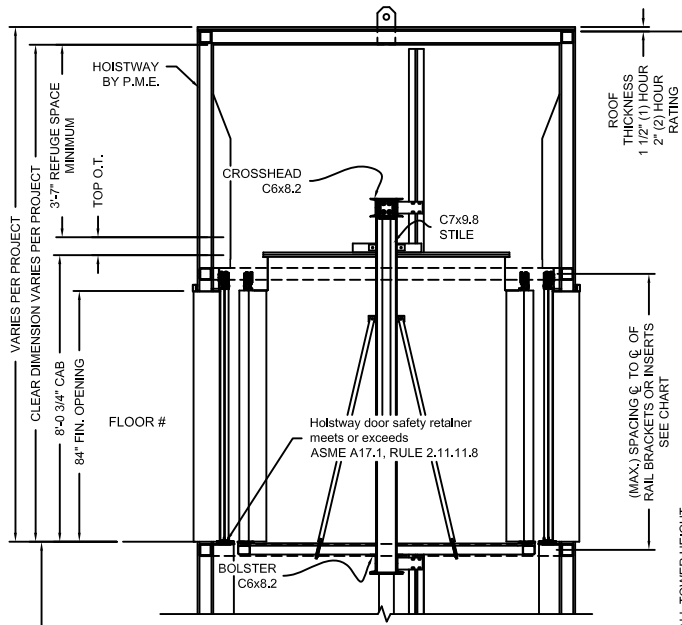
Issue Date:



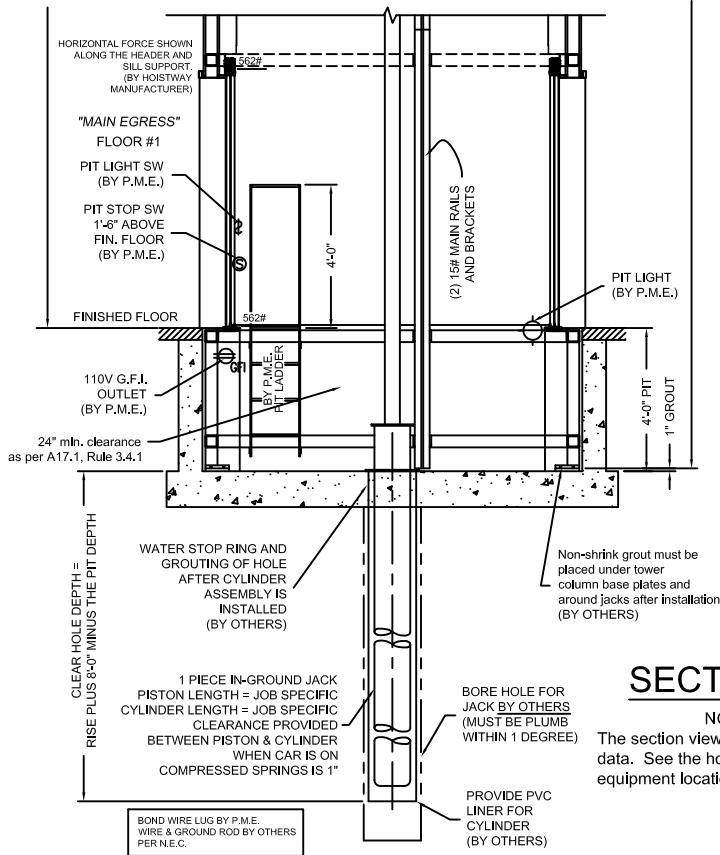
**PHOENIX MODULAR ELEVATOR INC.**  
4800 PHOENIX DRIVE, MT. VERNON, ILLINOIS 62864  
PHONE: (618)-244-2314 FAX: (618)-244-1923  
E-mail: info@phoenixmodularelevator.com  
Web page: www.phoenixmodularelevator.com

MODEL HOSP / HOSPR PIT PLAN - HOLED JACK

SIZE A	REV	REV. DATE	FILE NO.
SCALE: 3/8"=1'-0"	DATE:	DWG NO. HOSP-P1	



FLOOR TO FLOOR DISTANCE	FLOOR MARKING	FLOOR NUMBER
VARIABLES	4	4
VARIABLES	3	3
VARIABLES	2	2
	☆ 1	1
VARIABLES	NET FLOOR TRAVEL	
VARIABLES	TOP OVERTRAVEL	
9-1/2" TYP	BOTTOM OVERTRAVEL	
VARIABLES	TOTAL TRAVEL	



### SECTION VIEW

NOT TO SCALE

The section view is for informational / dimensional data. See the hoistway plan view for actual equipment locations.

Issue Date:



**PHOENIX MODULAR ELEVATOR INC.**  
 4800 PHOENIX DRIVE, MT. VERNON, ILLINOIS 62864  
 PHONE: (618)-244-2314 FAX: (618)-244-1923  
 E-mail: [Info@phoenixmodularelevator.com](mailto:Info@phoenixmodularelevator.com)  
 Web page: [www.phoenixmodularelevator.com](http://www.phoenixmodularelevator.com)

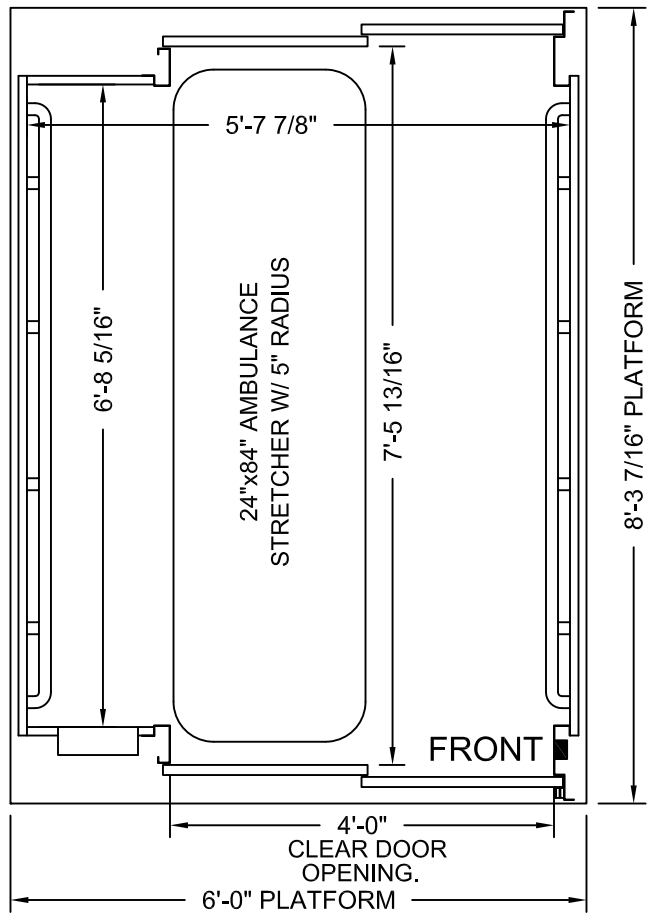
### SECTION VIEW FOR HOLED JACK SYSTEM

SIZE A	REV	REV. DATE	FILE NO.
-----------	-----	-----------	----------

SCALE: N.T.S.

DATE:

DWG NO. SV-BH



**PLAN VIEW**

Elevator car designed to accommodate ambulance stretcher as per IBC Section 3002.4  
 Capacity = 4000 lbs.

Car enclosure - laminate on wood  
*All material for car enclosures meet the requirements of ASME A17.1 RULE 2.14.2.1*

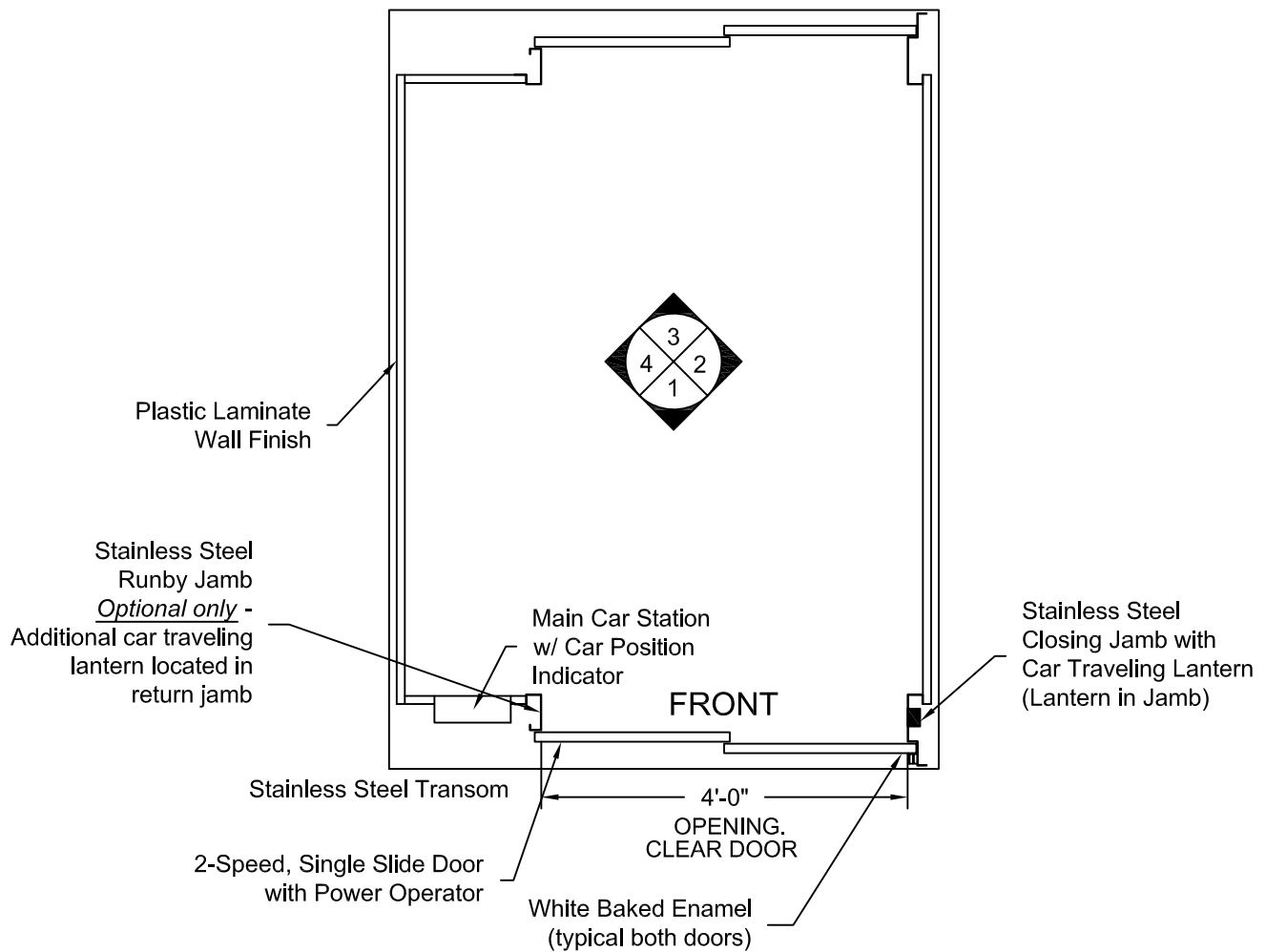
Issue Date:



**PHOENIX MODULAR ELEVATOR INC.**  
 4800 PHOENIX DRIVE, MT. VERNON, ILLINOIS 62864  
 PHONE: (618)-244-2314 FAX: (618)-244-1923  
 E-mail: info@phoenixmodularelevator.com  
 Web page: www.phoenixmodularelevator.com

**FRONT/REAR EXIT ELEVATOR CAB**

SIZE A	REV	REV. DATE	FILE NO.
SCALE: N.T.S.	DATE:	DWG NO. CAB-HOSP-1	



**PLAN VIEW**  
**RIGHT FRONT DOOR**  
**(MIRROR IMAGE IS AVAILABLE)**

Issue Date:

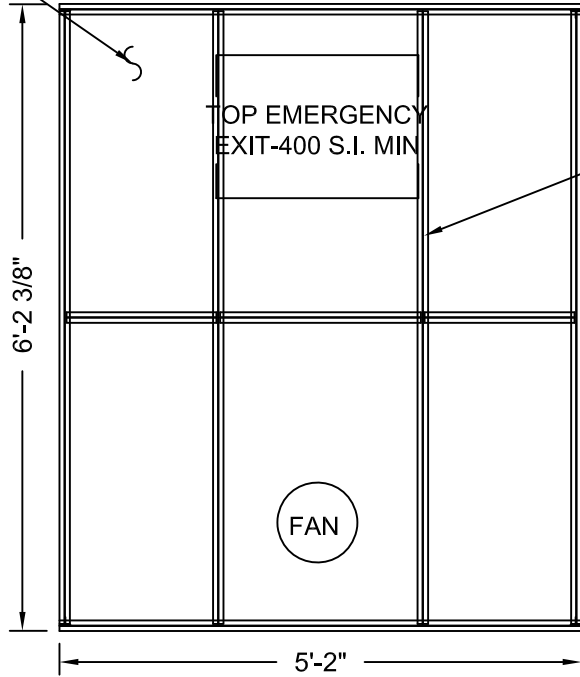


**PHOENIX MODULAR ELEVATOR INC.**  
 4800 PHOENIX DRIVE, MT. VERNON, ILLINOIS 62864  
 PHONE: (618)-244-2314 FAX: (618)-244-1923  
 E-mail: info@phoenixmodularelevator.com  
 Web page: www.phoenixmodularelevator.com

**FRONT/REAR EXIT ELEVATOR CAB - PLAN VIEW**

SIZE A	REV	REV. DATE	FILE NO.
SCALE: N.T.S.	DATE:	DWG NO. CAB-HOSP-2	

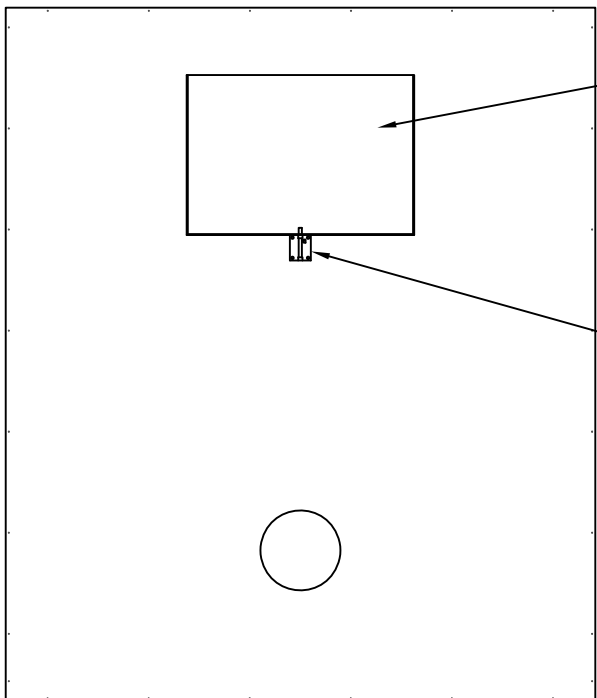
Removable  
Polycarbonate  
Ceiling Panels



Aluminum T-Bar

Aluminum Frame

**REFLECTIVE CEILING PLAN**



Steel,  
Emergency  
Hatch Door

Barrel Slide Bolt

**ROOF PLAN VIEW  
EMERGENCY EXIT DOOR**

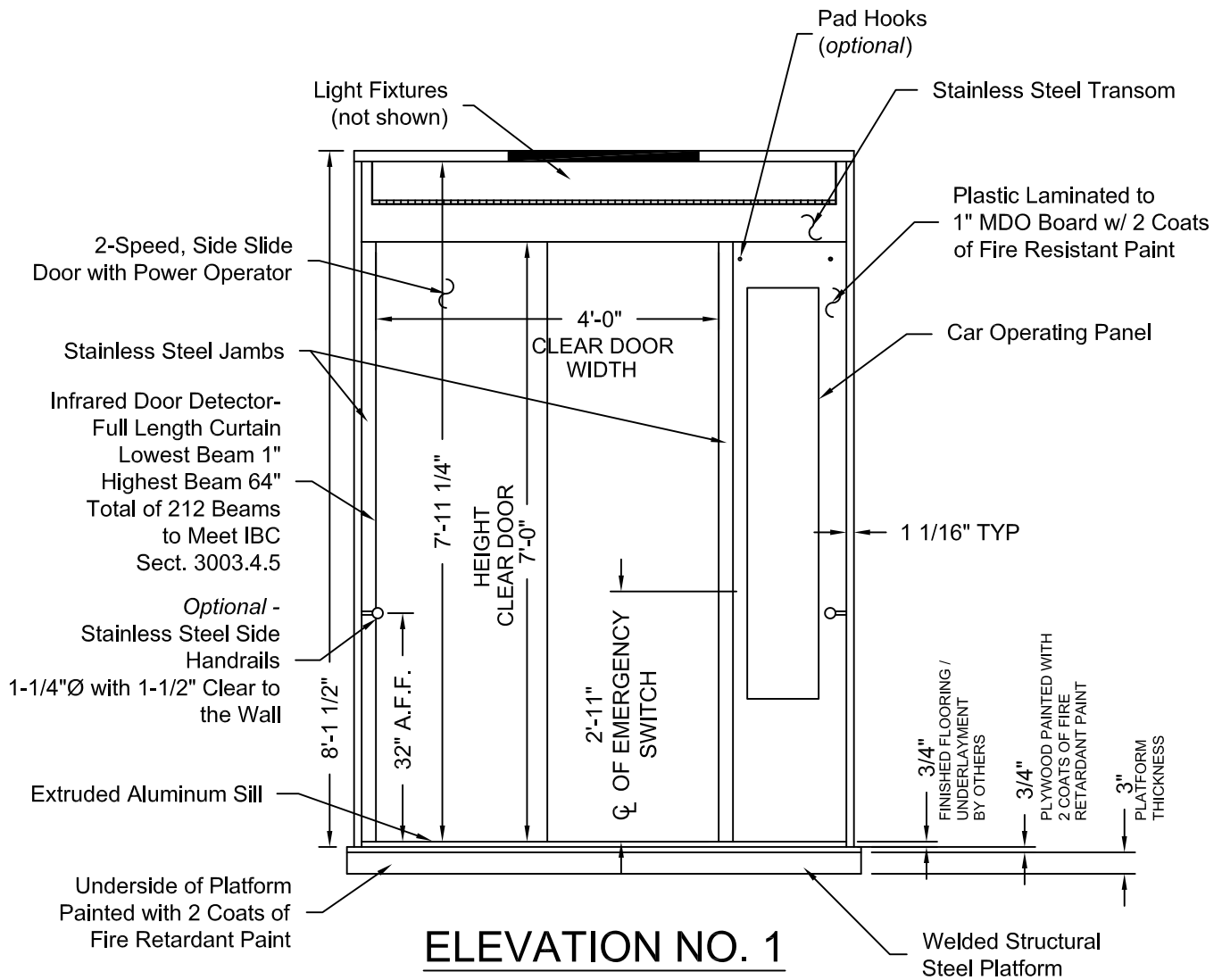
Issue Date:



**PHOENIX MODULAR ELEVATOR INC.**  
4800 PHOENIX DRIVE, MT. VERNON, ILLINOIS 62864  
PHONE: (618)-244-2314 FAX: (618)-244-1923  
E-mail: info@phoenixmodulelevator.com  
Web page: www.phoenixmodulelevator.com

**CEILING PLAN - front/rear exit elevator car**

SIZE A	REV	REV. DATE	FILE NO.
SCALE: N.T.S.	DATE:	DWG NO. CAB-HOSP-3	



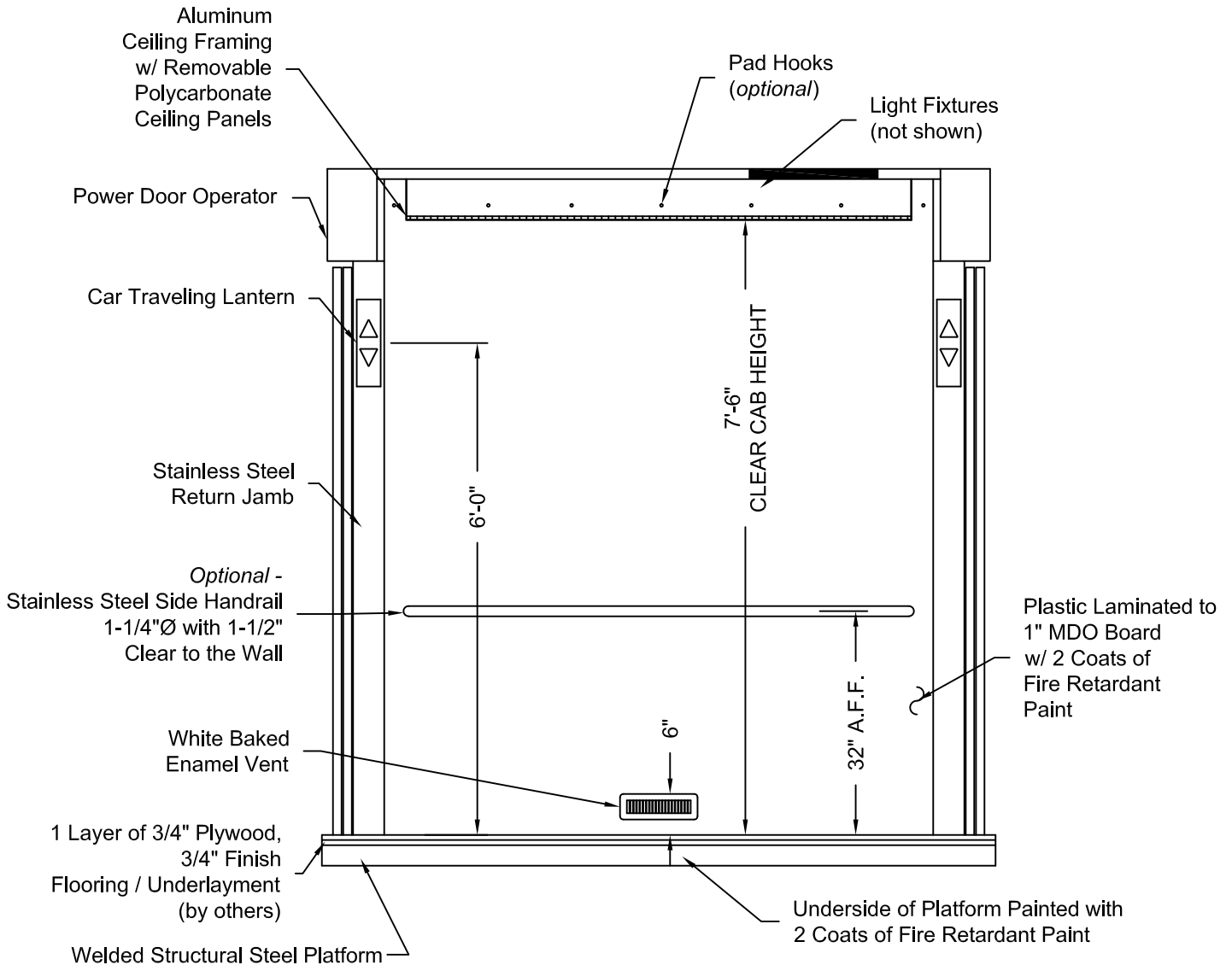
Issue Date:



**PHOENIX MODULAR ELEVATOR INC.**  
 4800 PHOENIX DRIVE, MT. VERNON, ILLINOIS 62864  
 PHONE: (618)-244-2314 FAX: (618)-244-1923  
 E-mail: [Info@phoenixmodularelevator.com](mailto:Info@phoenixmodularelevator.com)  
 Web page: [www.phoenixmodularelevator.com](http://www.phoenixmodularelevator.com)

**ELEVATION NO. 1 - front/rear exit elevator car**

SIZE A	REV	REV. DATE	FILE NO.
SCALE: N.T.S.	DATE:		DWG NO. CAB-HOSPR-4



**ELEVATION NO. 2**

Issue Date:

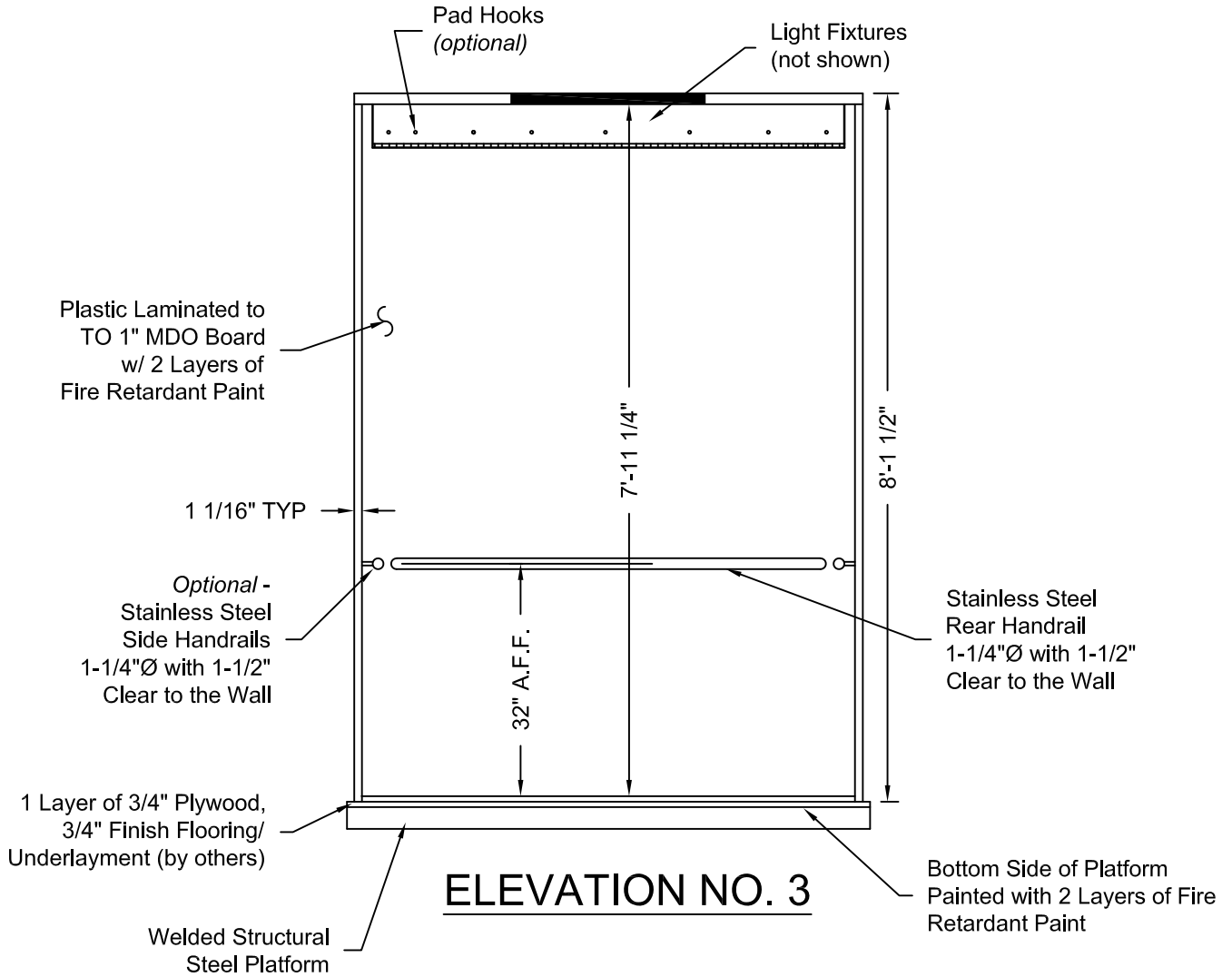


**PHOENIX MODULAR ELEVATOR INC.**  
 4800 PHOENIX DRIVE, MT. VERNON, ILLINOIS 62864  
 PHONE: (618)-244-2314 FAX: (618)-244-1923  
 E-mail: [Info@phoenixmodularelevator.com](mailto:Info@phoenixmodularelevator.com)  
 Web page: [www.phoenixmodularelevator.com](http://www.phoenixmodularelevator.com)

**ELEVATION NO. 2 - front/rear exit elevator car**

SIZE A	REV	REV. DATE	FILE NO.
SCALE: N.T.S.	DATE:	DWG NO. CAB-HOSPR-5	





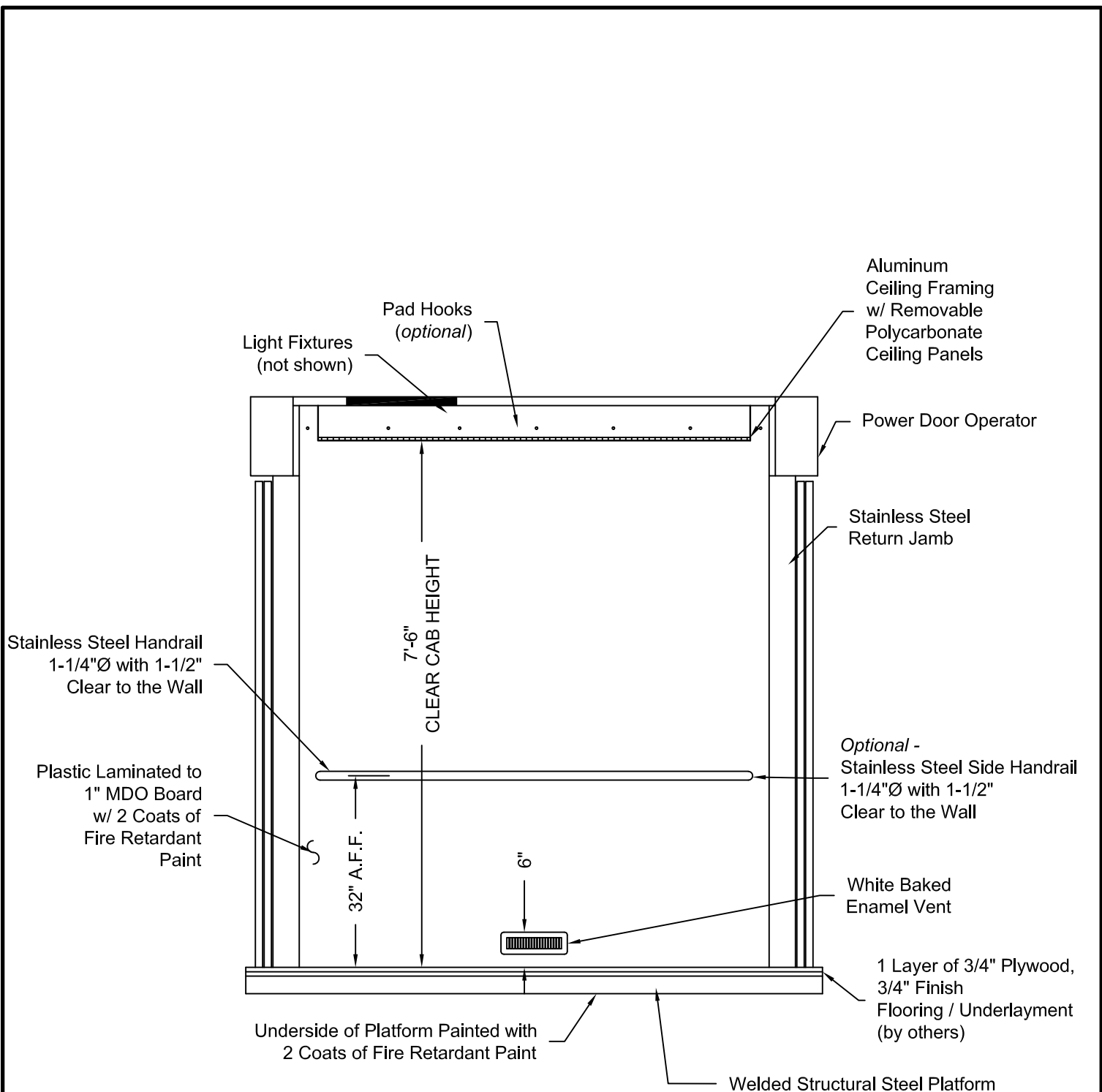
Issue Date:



**PHOENIX MODULAR ELEVATOR INC.**  
 4800 PHOENIX DRIVE, MT. VERNON, ILLINOIS 62864  
 PHONE: (618)-244-2314 FAX: (618)-244-1923  
 E-mail: [Info@phoenixmodularelevator.com](mailto:Info@phoenixmodularelevator.com)  
 Web page: [www.phoenixmodularelevator.com](http://www.phoenixmodularelevator.com)

**ELEVATION NO.3 - front/rear exit elevator car**

SIZE A	REV	REV. DATE	FILE NO.
SCALE: N.T.S.	DATE:	DWG NO. CAB-HOSPR-6	



**ELEVATION NO. 4**

Issue Date:



**PHOENIX MODULAR ELEVATOR INC.**  
 4800 PHOENIX DRIVE, MT. VERNON, ILLINOIS 62864  
 PHONE: (618)-244-2314 FAX: (618)-244-1923  
 E-mail: [Info@phoenixmodularelevator.com](mailto:Info@phoenixmodularelevator.com)  
 Web page: [www.phoenixmodularelevator.com](http://www.phoenixmodularelevator.com)

**ELEVATION NO. 4 - front exit elevator car**

SIZE A	REV	REV. DATE	FILE NO.
SCALE: N.T.S.	DATE:		DWG NO. CAB-HOSPR-7